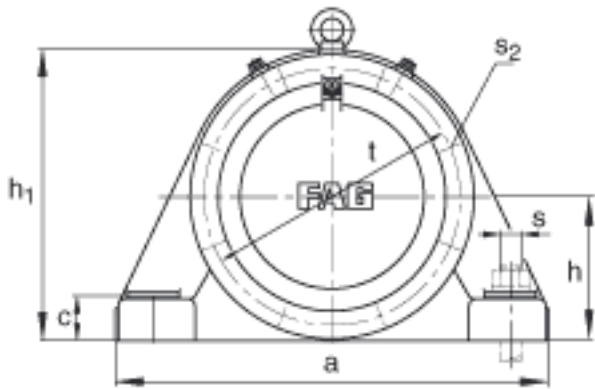
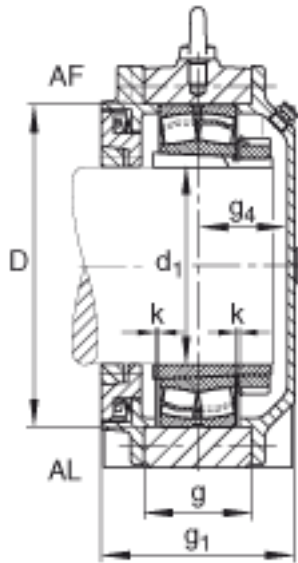
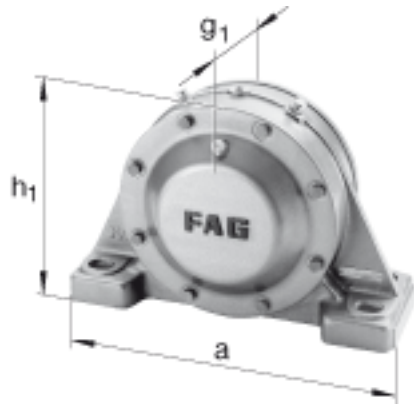


FAG BND2215-H-W-T-AL-S参数

| | | | | |
|----|----------------|---------|----|---------|
| 尺寸 | d ₁ | 65 | mm | - |
| | a | 285 | mm | - |
| | h ₁ | 180 | mm | - |
| | g ₁ | 105 | mm | - |
| | b | 85 | mm | - |
| | c | 35 | mm | - |
| | D | 130 | mm | - |
| | g | 45 | mm | - |
| | g ₄ | 44 | mm | - |
| | h | 90 | mm | - |
| | k | 2 | mm | - |
| | m | 225 | mm | - |
| | n | 45 | mm | - |
| | s | M16 | | - |
| 说明 | s ₂ | M6 | | - |
| 尺寸 | t | 155 | mm | - |
| | u | 20 | mm | - |
| | v | 28 | mm | - |
| 说明 | s ₂ | 6 | | 数量 |
| | | 22215K | | 型号, 轴承 |
| 其他 | | H315 | | 质量, 紧定套 |
| 重量 | m ₁ | 15000 | g | 质量, 轴承座 |
| 说明 | | BND2215 | | 型号, 轴承座 |

FAG BND2215-H-W-T-AL-S图片



参考资料:<http://www.sozhou.com/p/0182f51c.html>

