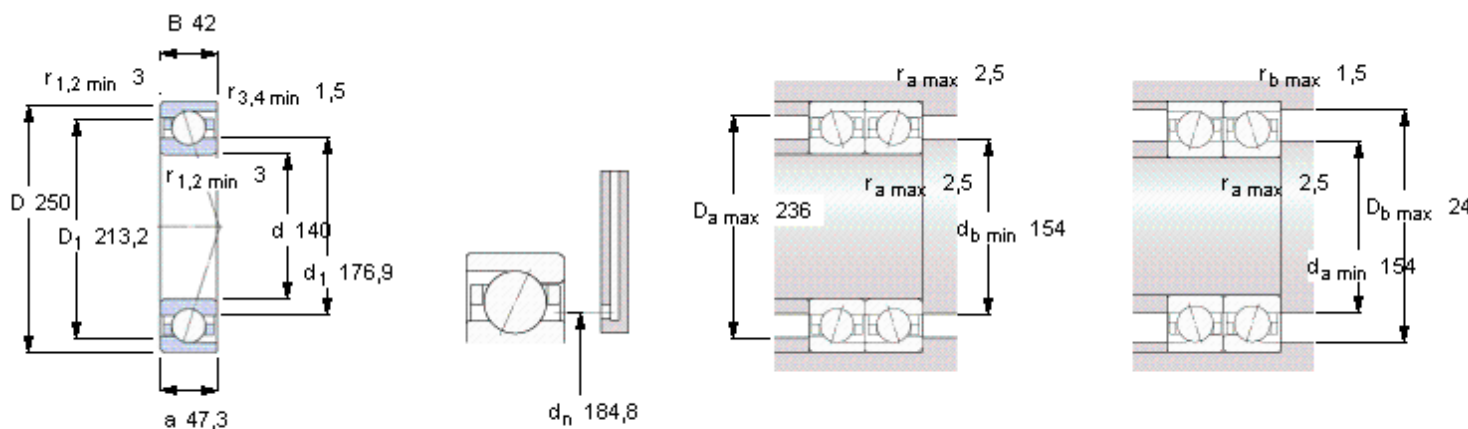


SKF 7228 CD/P4A参数

主要尺寸	d	140	mm	-
	D	250	mm	-
	B	42	mm	-
基本额定载荷	C	221000	N	动载荷
	C_0	240000	N	静载荷
疲劳载荷极限	P_u	7350	N	-
可达转速	Grease	5600	r/min	-
	Oil-air	8500	r/min	-
重量	重量	8150	g	-
型号	型号	7228 CD/P4A	-	-

SKF 7228 CD/P4A图片



Ball diameter 30,162

Number of balls 18

未安装时的预载荷 [N]

背对背配置，面对面配置

预载荷等级

A	B	C	D
850	1700	3400	6800

Static axial stiffness [N/ μm]

(guideline value)

预载荷等级

A	B	C	D
163	220	305	437

Reference grease quantity [cm³]

G_{ref} 84

计算系数

for equivalent bearing load

f_0 15,2

for preload in mounted bearing sets

f 1,09

f_1 1

f_{2A} 1

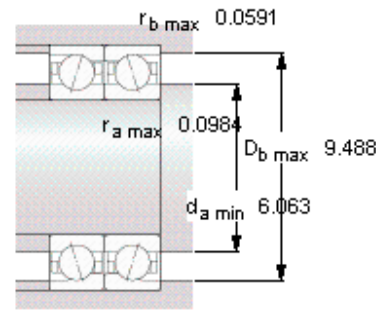
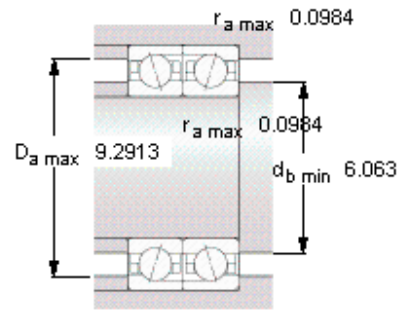
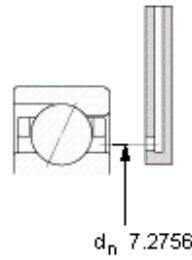
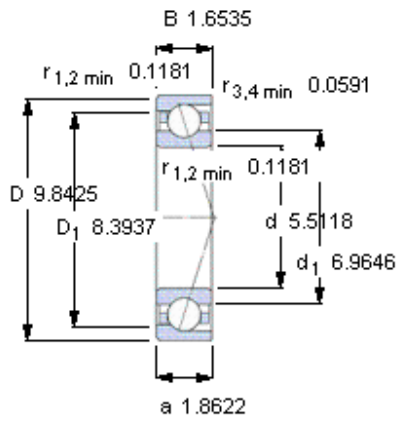
f_{2B} 1,01

f_{2C} 1,03

f_{2D} 1,05

f_{HC} 1

参考资料: <http://www.sozhou.com/p/0a2ada08.html>



Ball diameter 30,162

Number of balls 18

未安装时的预载荷 [N]

背对背配置，面对面配置

预载荷等级

A	B	C	D
850	1700	3400	6800

Static axial stiffness [N/μm]

(guideline value)

预载荷等级

A	B	C	D
163	220	305	437

Reference grease quantity [cm³]

G_{ref} 84

计算系数

for equivalent bearing load

f₀ 15,2

for preload in mounted bearing sets

f 1,09

f₁ 1

f_{2A} 1

f_{2B} 1,01

f_{2C} 1,03

f_{2D} 1,05

f_{HC} 1