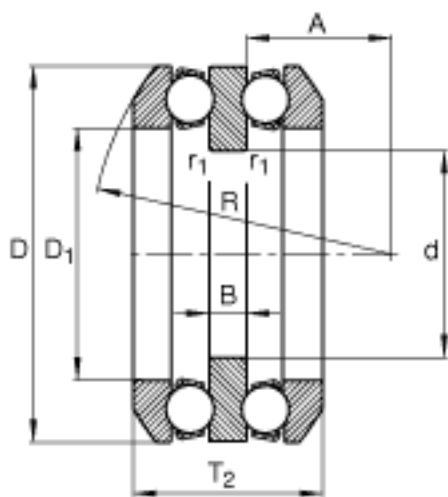
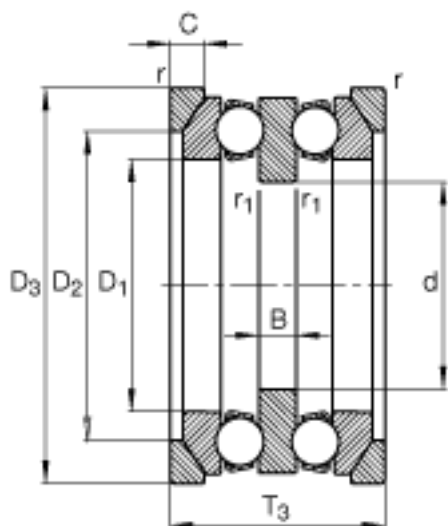
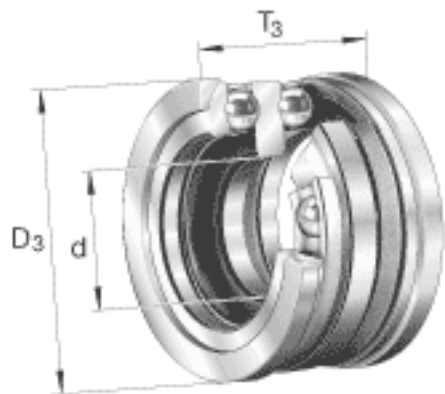


FAG 54218 + U218参数

| | | | | | |
|--------|---------------|--------|-------|------------|-------|
| 疲劳极限载荷 | C_{ua} | 12300 | N | 疲劳极限载荷，轴向 | |
| 尺寸 | d | 75 | mm | - | |
| | D_3 | 140 | mm | - | |
| | T_3 | 76 | mm | - | |
| | A | 42 | mm | - | |
| | B | 14 | mm | - | |
| | C | 13.5 | mm | - | |
| | D | 135 | mm | - | |
| | D_1 | 93 | mm | - | |
| | D_2 | 110 | mm | - | |
| | $D_{a\ max}$ | 110 | mm | - | |
| | $d_{a\ max}$ | 90 | mm | - | |
| | R | 100 | mm | - | |
| | $r_{1\ min}$ | 1 | mm | - | |
| | $r_{a\ max}$ | 1 | mm | - | |
| | $r_{a1\ max}$ | 1 | mm | - | |
| | r_{min} | 1.1 | mm | - | |
| | T_2 | 69 | mm | - | |
| | 说明 | | U218 | | 型号，座圈 |
| | 重量 | m | 3110 | g | 质量 |
| | | m_1 | 425 | g | 质量，座圈 |
| 基本额定载荷 | C_a | 118000 | N | 基本额定动载荷，轴向 | |
| | C_{0a} | 300000 | N | 基本额定静载荷，轴向 | |
| 尺寸 | A | 0.53 | | 最小载荷系数 | |
| 极限转速 | n_G | 2900 | r/min | 极限转速 | |

FAG 54218 + U218图片



参考资料: <http://www.sozhou.com/p/109e4f96.html>

