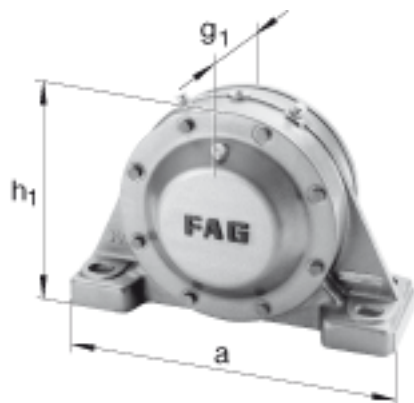
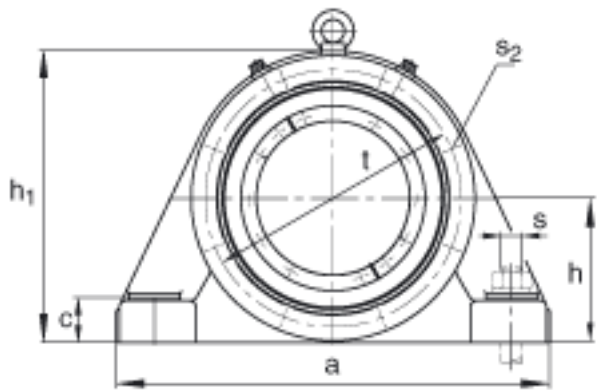
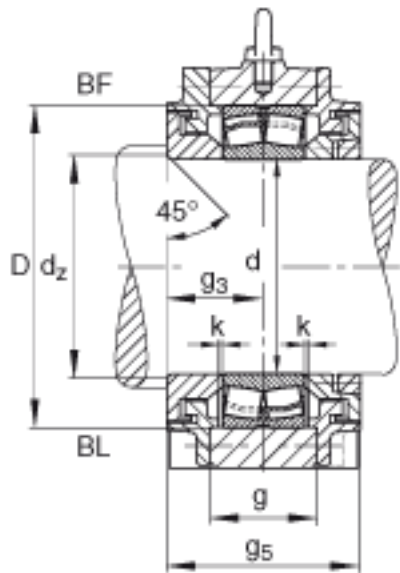


FAG BND3036-Z-Y-BF-S参数

|    |       |         |     |         |   |
|----|-------|---------|-----|---------|---|
| 尺寸 | d     | 180     | mm  | -       |   |
|    | a     | 540     | mm  | -       |   |
|    | $h_1$ | 360     | mm  | -       |   |
|    | b     | 170     | mm  | -       |   |
|    | c     | 52      | mm  | -       |   |
|    | D     | 280     | mm  | -       |   |
|    | $d_z$ | 188     | mm  | -       |   |
|    | g     | 100     | mm  | -       |   |
|    | $g_3$ | 88      | mm  | -       |   |
|    | $g_5$ | 176     | mm  | -       |   |
|    | h     | 180     | mm  | -       |   |
|    | n     | 100     | mm  | -       |   |
|    | s     | M30     |     | -       |   |
|    | 说明    | $s_2$   | M12 |         | - |
|    | 尺寸    | t       | 310 | mm      | - |
| u  |       | 36      | mm  | -       |   |
| v  |       | 45      | mm  | -       |   |
| 说明 | $s_2$ | 8       |     | 数量      |   |
|    |       | 23036   |     | 型号, 轴承  |   |
| 重量 | $m_1$ | 70000   | g   | 质量, 轴承座 |   |
| 说明 |       | BND3036 |     | 型号, 轴承座 |   |
| 尺寸 | m     | 450     | mm  | -       |   |

FAG BND3036-Z-Y-BF-S图片





参考资料:<http://www.sozhou.com/p/11bb7a73.html>