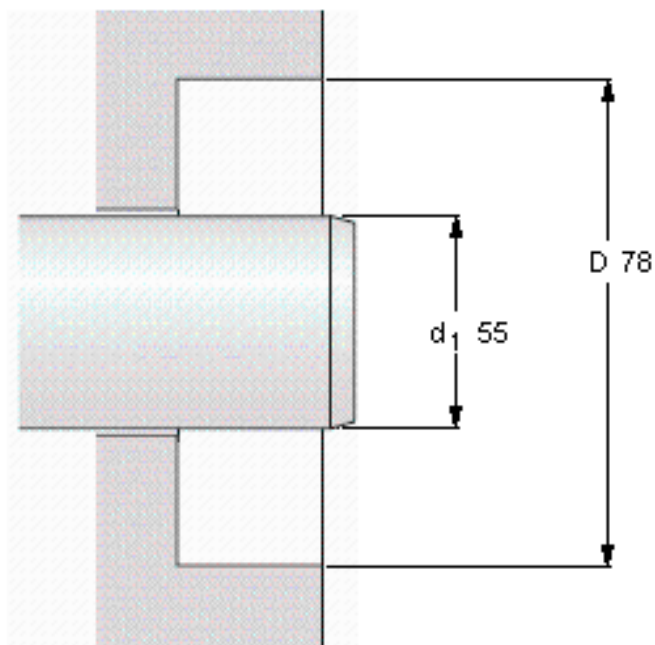


SKF 55X78X9 HMS1 R参数

主要尺寸	d_1	55	mm	-
	d1	78	mm	-
	b	9	mm	-
设计	设计	HMS1	-	-
密封唇材料	密封唇材料	R	-	-
Pressuredifferential [MPa/psi]	Pressure differential [MPa / psi]	0.07	-	-
型号	型号	55X78X9 HMS1 R	-	-
美国图纸编号	美国图纸编号	21630	-	-

SKF 55X78X9 HMS1 R图片



Permissible operating temperature [°C / °F]

最小	最大
-40 / -40	100 / 212
	short periods
	120 / 248

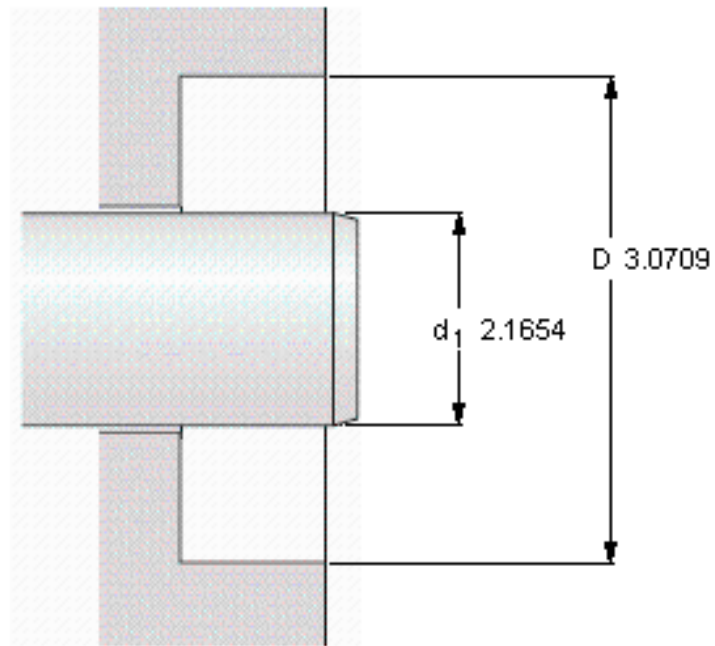
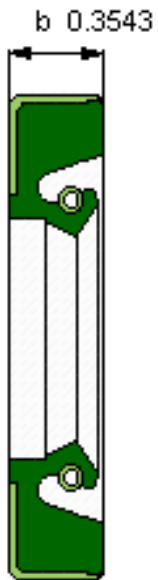
Rotational speed [r/min]

4861
at circumferential speed [m/s / ft/s]
14 / 45,92

Pressure differential [MPa / psi]

0,07 / 10,15

See also "Permissible speeds" and "Chemical and thermal resistance"



Permissible operating temperature [°C / °F]

最小	最大
-40 / -40	100 / 212
	short periods
	120 / 248

Rotational speed [r/min]

4861
at circumferential speed [m/s / ft/s]
14 / 45,92

Pressure differential [MPa / psi]

0,07 / 10,15

See also "Permissible speeds" and "Chemical and thermal resistance"

参考资料:<http://www.sozhou.com/p/1391f571.html>