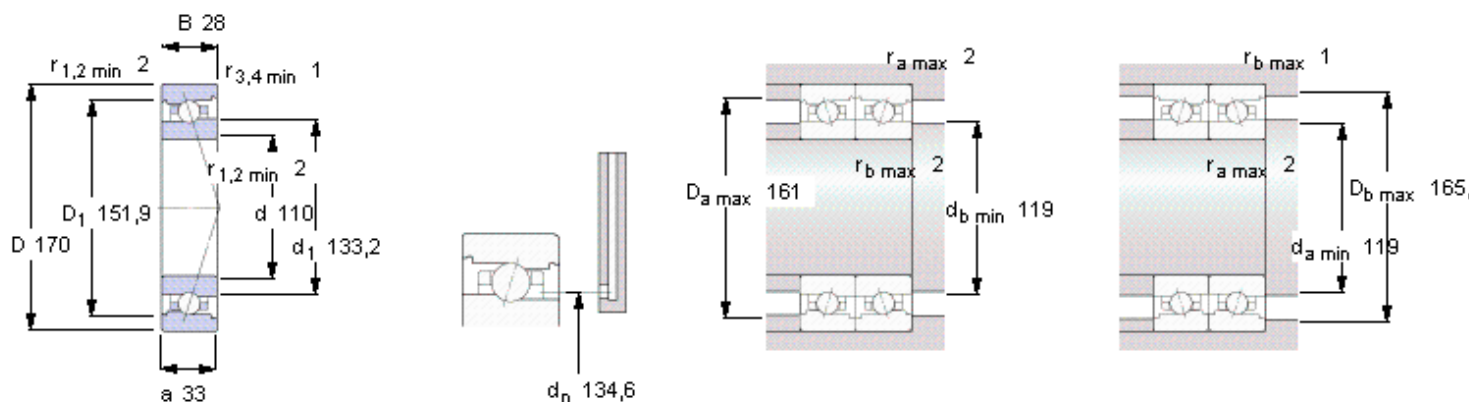


SKF 7022 CB/P4A参数

主要尺寸	d	110	mm	-
	D	170	mm	-
	B	28	mm	-
基本额定载荷	C	37100	N	动载荷
	C_0	36000	N	静载荷
疲劳载荷极限	P_u	1290	N	-
可达转速	Grease	10000	r/min	-
	Oil-air	16000	r/min	-
重量	重量	2200	g	-
型号	型号	7022 CB/P4A	-	-

SKF 7022 CB/P4A图片



Ball diameter 11,112

Number of balls 31

未安装时的预载荷 [N]

背对背配置，面对面配置

预载荷等级

A	B	C	D
125	250	750	-

Static axial stiffness [N/ μm]

(guideline value)

预载荷等级

A	B	C	D
71	93	147	-

Reference grease quantity [cm³]

G_{ref} 22

计算系数

for equivalent bearing load

f_0 9,7

for preload in mounted bearing sets

f 1,07

f_1 1

f_{2A} 1

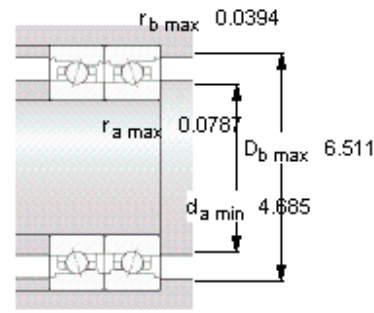
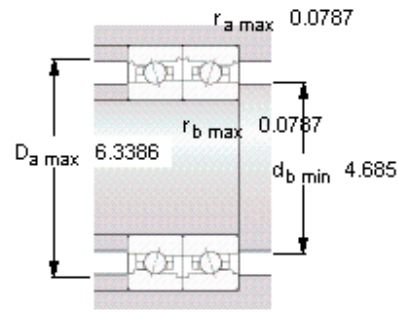
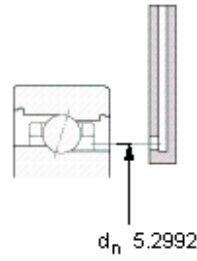
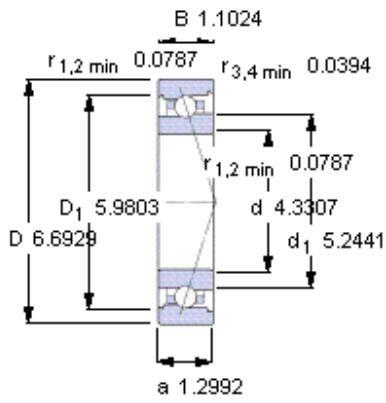
f_{2B} 1,02

f_{2C} 1,05

f_{2D} -

f_{HC} 1

参考资料: <http://www.sozhou.com/p/14a26a6b.html>



Ball diameter 11,112

Number of balls 31

未安装时的预载荷 [N]

背对背配置，面对面配置

预载荷等级

A	B	C	D
125	250	750	-

Static axial stiffness [N/μm]

(guideline value)

预载荷等级

A	B	C	D
71	93	147	-

Reference grease quantity [cm³]

G_{ref} 22

计算系数

for equivalent bearing load

f₀ 9,7

for preload in mounted bearing sets

f 1,07

f₁ 1

f_{2A} 1

f_{2B} 1,02

f_{2C} 1,05

f_{2D} -

f_{HC} 1