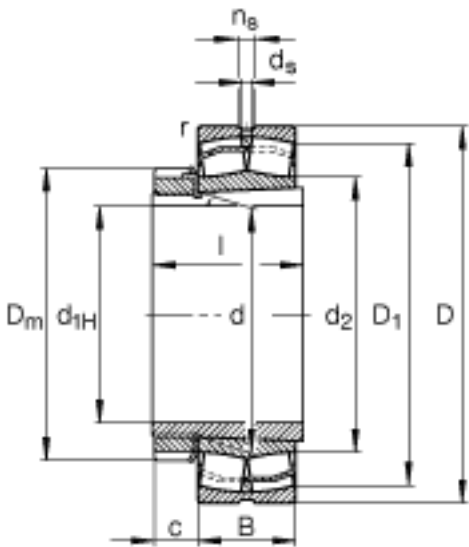
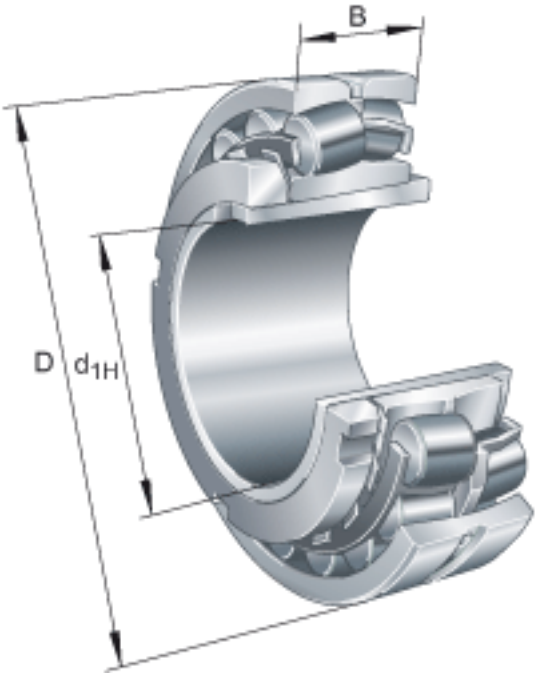


FAG 22212-E1-K + H312参数

| | | | | |
|--------|--------------|--------|-------|-------------|
| 尺寸 | d_{1H} | 55 | mm | - |
| | D | 110 | mm | - |
| | B | 28 | mm | - |
| | $B_{a \min}$ | 8 | mm | - |
| | c | 13 | mm | - |
| | D_1 | 98.7 | mm | - |
| | $D_{a \max}$ | 101 | mm | - |
| | D_m | 80 | mm | - |
| | d | 60 | mm | - |
| | d_2 | 71.6 | mm | - |
| | $d_{a \max}$ | 71 | mm | - |
| | $d_{b \min}$ | 65 | mm | - |
| | d_s | 3.2 | mm | - |
| | l | 47 | mm | - |
| | n_s | 6.5 | mm | - |
| | $r_{a \max}$ | 1.5 | mm | - |
| | r_{\min} | 1.5 | mm | - |
| 说明 | | H312 | | 质量, 紧定套 |
| 重量 | m | 1090 | g | 质量 |
| | m_1 | 400 | g | 质量, 紧定套 |
| 基本额定载荷 | C_r | 160000 | N | 基本额定动载荷, 径向 |
| 尺寸 | e | 0.23 | | - |
| 计算系数 | Y_1 | 2.98 | | - |
| | Y_2 | 4.44 | | - |
| 基本额定载荷 | C_{0r} | 155000 | N | 基本额定静载荷, 径向 |
| 计算系数 | Y_0 | 2.92 | | - |
| 极限转速 | n_G | 8100 | r/min | 极限转速 |

| | | | | |
|--------|----------|-------|-------|-----------|
| 参考转速 | n_B | 4700 | r/min | 参考速度 |
| 疲劳极限载荷 | C_{ur} | 20200 | N | 疲劳极限载荷，径向 |

FAG 22212-E1-K + H312图片



参考资料:<http://www.sozhou.com/p/1bc03127.html>

