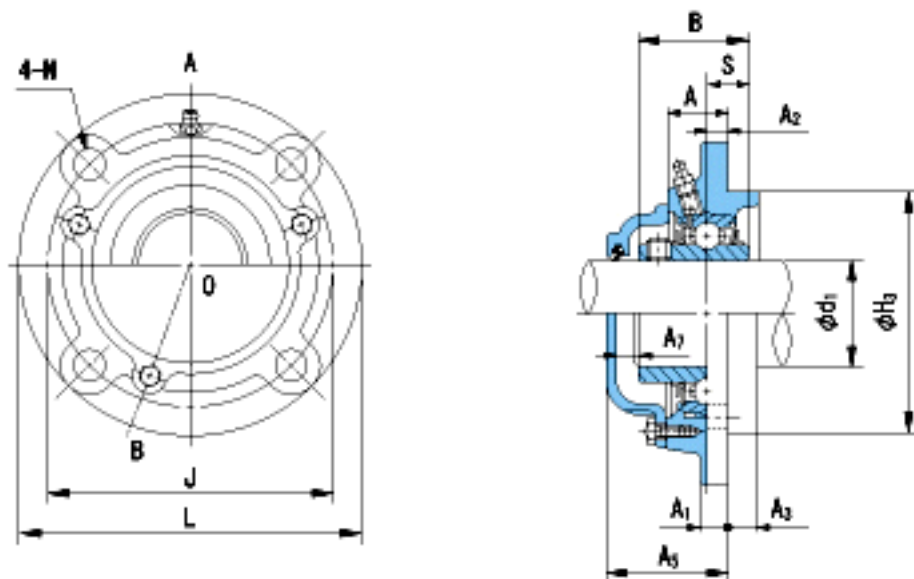


NACHI UCFC218参数

| | | | | |
|--------|--------|-------|-------|-----|
| 外形尺寸 | L | 265 | mm | - |
| | J | 220 | mm | - |
| | N | 23 | mm | - |
| 安装尺寸 | d1 | 90 | mm | - |
| | A | 50 | mm | - |
| | A1 | 20 | mm | - |
| | A2 | 22 | mm | - |
| | A3 | 18 | mm | - |
| | H3 | 190 | mm | - |
| | B | 96 | mm | - |
| | S | 39.7 | mm | - |
| | A0 | 78.3 | mm | - |
| | 重量 | Mass | 12700 | g |
| 基本额定载荷 | Cr | 95500 | N | 动载荷 |
| | Cor | 71400 | N | 静载荷 |
| 极限速度 | Grease | - | r/min | 脂润滑 |
| | Oil | - | r/min | 油润滑 |

NACHI UCFC218图片



参考资料:<http://www.sozhou.com/p/1fcc836e.html>