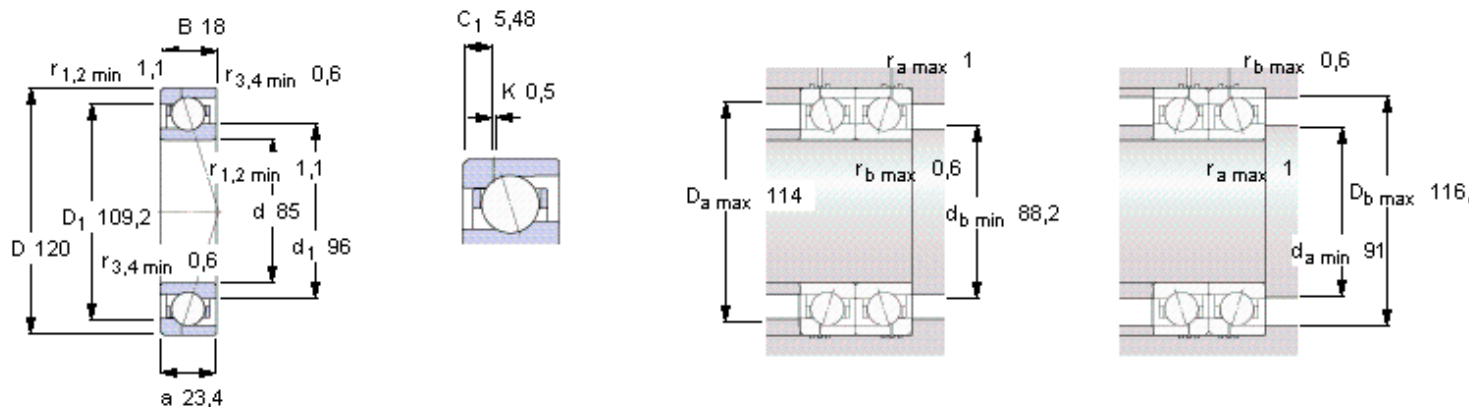


**SKF 71917 CE/HCP4AH1参数**

主要尺寸	d	85	mm	-
	D	120	mm	-
	B	18	mm	-
基本额定载荷	C	29600	N	动载荷
	$C_0$	23200	N	静载荷
疲劳载荷极限	$P_u$	950	N	-
可达转速	Grease	18000	r/min	-
	Oil-air	28000	r/min	-
重量	重量	420	g	-
型号	型号	71917 CE/HCP4AH1	-	-

**SKF 71917 CE/HCP4AH1图片**



**Ball diameter** 11,112

**Number of balls** 23

**未安装时的预载荷 [N]**

背对背配置，面对面配置

预载荷等级

A	B	C	D
160	479	957	-

**Static axial stiffness [N/μm]**

(guideline value)

预载荷等级

A	B	C	D
69	109	150	-

**Reference grease quantity [cm³]**

$G_{ref}$  7

**计算系数**

for equivalent bearing load

$f_0$  8,4

for preload in mounted bearing sets

$f$  1,16

$f_1$  1

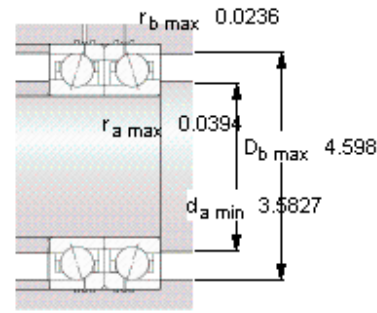
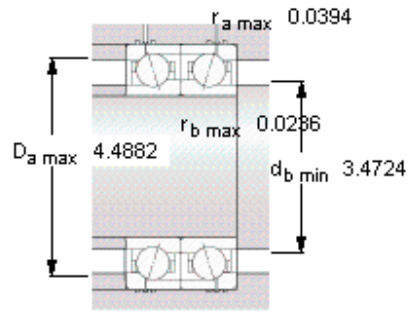
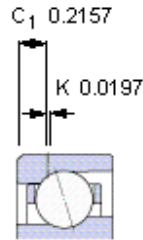
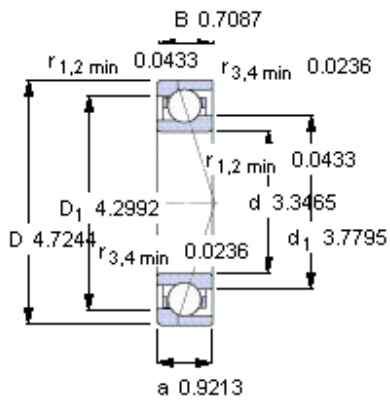
$f_{2A}$  1

$f_{2B}$  1,05

$f_{2C}$  1,09

$f_{2D}$  -

$f_{HC}$  1,01



**Ball diameter** 11,112  
**Number of balls** 23

**未安装时的预载荷 [N]**

背对背配置，面对面配置

预载荷等级

A	B	C	D
160	479	957	-

**Static axial stiffness [N/μm]**

(guideline value)

预载荷等级

A	B	C	D
69	109	150	-

**Reference grease quantity [cm<sup>3</sup>]**

G<sub>ref</sub> 7

**计算系数**

for equivalent bearing load

f<sub>0</sub> 8,4

for preload in mounted bearing sets

f 1,16

f<sub>1</sub> 1

f<sub>2A</sub> 1

f<sub>2B</sub> 1,05

f<sub>2C</sub> 1,09

f<sub>2D</sub> -

f<sub>HC</sub> 1,01