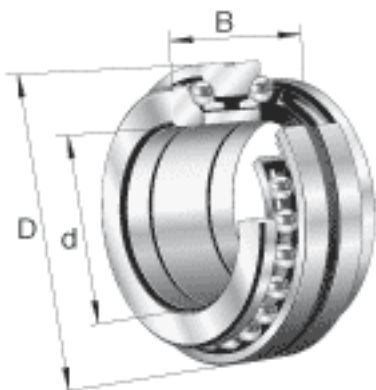
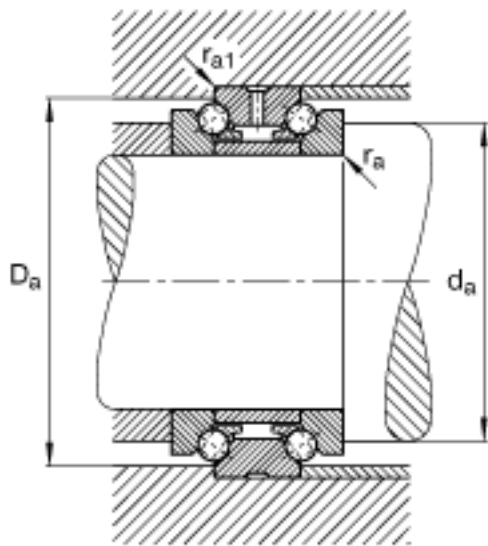
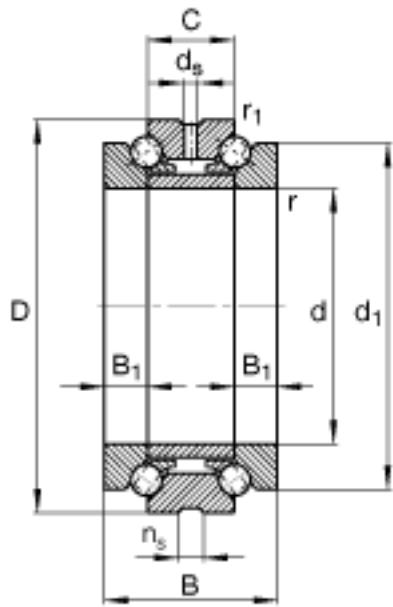


FAG 234740-M-SP参数

|        |                     |         |       |             |
|--------|---------------------|---------|-------|-------------|
| 尺寸     | d                   | 207     | mm    | -           |
|        | D                   | 310     | mm    | -           |
|        | B                   | 132     | mm    | -           |
|        | B <sub>1</sub>      | 33      | mm    | -           |
|        | C                   | 66      | mm    | -           |
|        | D <sub>a</sub> H12  | 291.5   | mm    | -           |
|        | d <sub>1</sub>      | 274     | mm    | -           |
|        | d <sub>a</sub> h12  | 245     | mm    | -           |
|        | d <sub>s</sub>      | 8       | mm    | -           |
|        | n <sub>s</sub>      | 15      | mm    | -           |
|        | r <sub>1</sub> min  | 0.6     | mm    | -           |
|        | r <sub>a</sub> max  | 2.5     | mm    | -           |
|        | r <sub>al</sub> max | 1       | mm    | -           |
|        | r <sub>min</sub>    | 2.1     | mm    | -           |
|        | 重量                  | m       | 28600 | g           |
| 基本额定载荷 | C <sub>a</sub>      | 285000  | N     | 基本额定动载荷, 轴向 |
|        | C <sub>0a</sub>     | 1060000 | N     | 基本额定静载荷, 轴向 |
| 极限转速   | n <sub>G</sub> Fett | 1800    | r/min | 脂润滑时的极限转速   |
|        | n <sub>G</sub> Öl   | 2600    | r/min | 最少油润滑时的极限转速 |
| 疲劳极限载荷 | C <sub>ua</sub>     | 59000   | N     | 疲劳极限载荷, 轴向  |

FAG 234740-M-SP图片





参考资料:<http://www.sozhou.com/p/32884fd6.html>