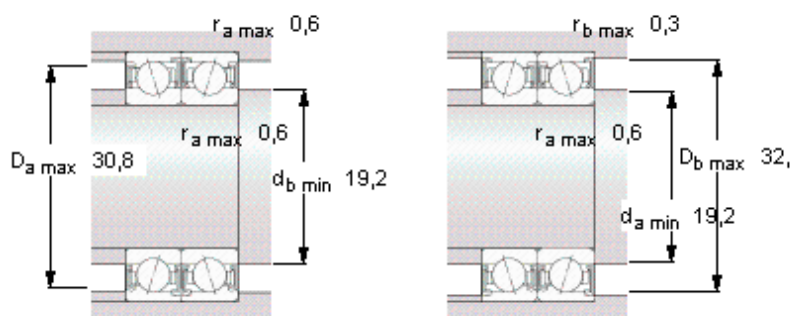
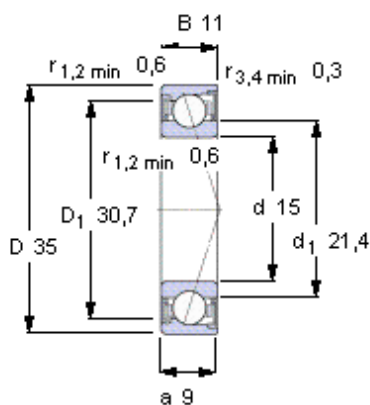


SKF S7202 CD/HCP4A参数

主要尺寸	d	15	mm	-
	D	35	mm	-
	B	11	mm	-
基本额定载荷	C	7410	N	动载荷
	C_0	3350	N	静载荷
疲劳载荷极限	P_u	140	N	-
可达转速	Grease	60000	r/min	-
	Oil-air	-	r/min	-
重量	重量	38	g	-
型号	型号	S7202 CD/HCP4A	-	-

SKF S7202 CD/HCP4A图片



Ball diameter 6,35
Number of balls 10

未安装时的预载荷 [N]
背对背配置，面对面配置
预载荷等级

A	B	C	D
30	60	120	240

Static axial stiffness [N/μm]
(guideline value)

预载荷等级

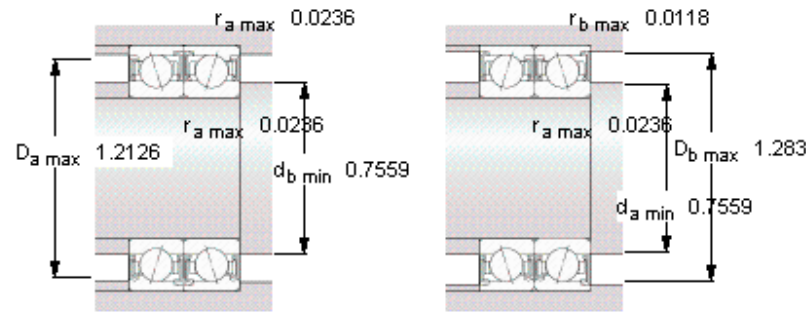
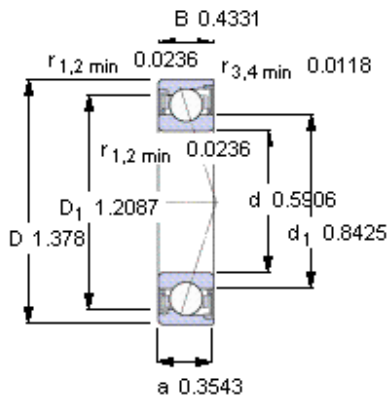
A	B	C	D
21	28	39	54

Reference grease quantity [cm³]
 G_{ref} -

计算系数
for equivalent bearing load
 f_0 8,5

for preload in mounted bearing sets
f 1,03
 f_1 1
 f_{2A} 1
 f_{2B} 1,01
 f_{2C} 1,03
 f_{2D} 1,06
 f_{HC} 1,01

参考资料: <http://www.sozhou.com/p/3d9ac241.html>



Ball diameter 6,35

Number of balls 10

未安装时的预载荷 [N]

背对背配置，面对面配置

预载荷等级

A	B	C	D
30	60	120	240

Static axial stiffness [N/μm]

(guideline value)

预载荷等级

A	B	C	D
21	28	39	54

Reference grease quantity [cm³]

G_{ref} -

计算系数

for equivalent bearing load

f₀ 8,5

for preload in mounted bearing sets

f 1,03

f₁ 1

f_{2A} 1

f_{2B} 1,01

f_{2C} 1,03

f_{2D} 1,06

f_{HC} 1,01