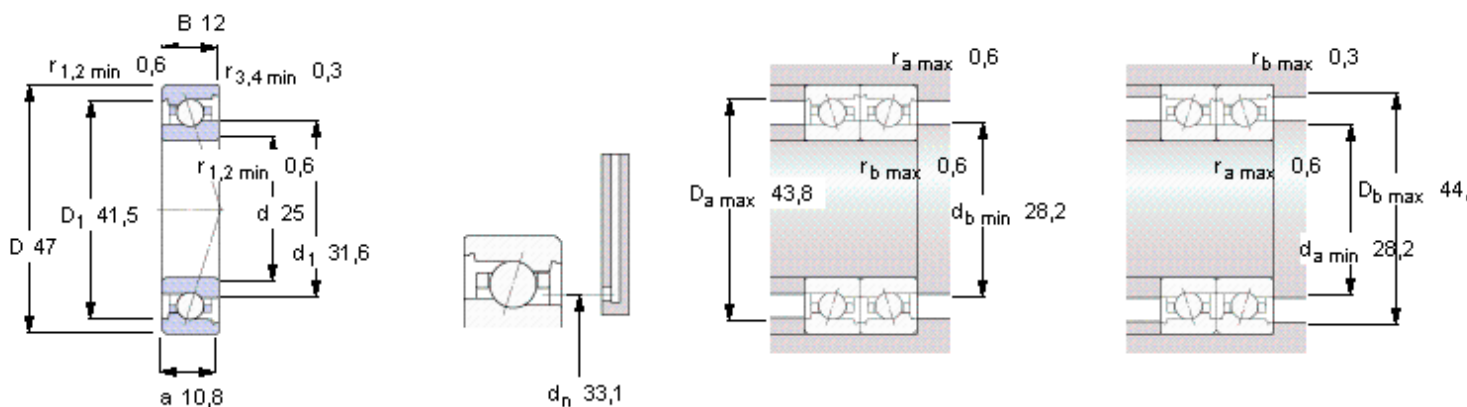


SKF 7005 CE/HCP4A参数

主要尺寸	d	25	mm	-
	D	47	mm	-
	B	12	mm	-
基本额定载荷	C	8320	N	动载荷
	C_0	4150	N	静载荷
疲劳载荷极限	P_u	173	N	-
可达转速	Grease	56000	r/min	-
	Oil-air	85000	r/min	-
重量	重量	65	g	-
型号	型号	7005 CE/HCP4A	-	-

SKF 7005 CE/HCP4A图片



Ball diameter 6,35
Number of balls 14

未安装时的预载荷 [N]
背对背配置，面对面配置
预载荷等级

A	B	C	D
45	130	260	-

Static axial stiffness [N/μm]
(guideline value)

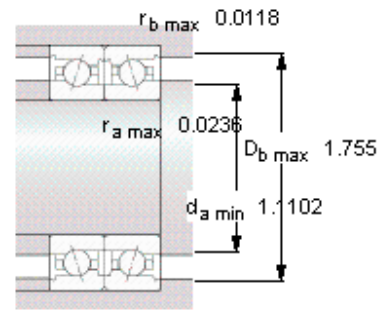
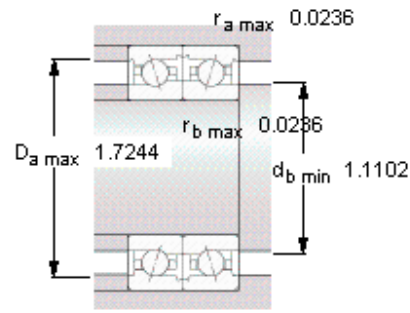
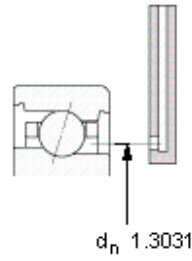
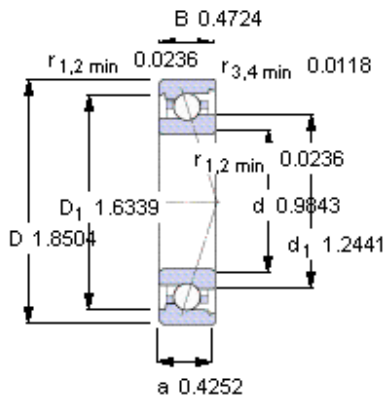
A	B	C	D
27	41	56	-

Reference grease quantity [cm³]
 G_{ref} 1,3

计算系数
for equivalent bearing load
 f_0 7,5

for preload in mounted bearing sets
f 1,05
 f_1 1
 f_{2A} 1
 f_{2B} 1,03
 f_{2C} 1,05
 f_{2D} -
 f_{HC} 1,01

参考资料: <http://www.sozhou.com/p/3dea14ee.html>



Ball diameter 6,35
Number of balls 14

未安装时的预载荷 [N]
 背对背配置，面对面配置
 预载荷等级

A	B	C	D
45	130	260	-

Static axial stiffness [N/μm]

(guideline value)

预载荷等级

A	B	C	D
27	41	56	-

Reference grease quantity [cm³]

G_{ref} 1,3

计算系数

for equivalent bearing load

f₀ 7,5

for preload in mounted bearing sets

f 1,05

f₁ 1

f_{2A} 1

f_{2B} 1,03

f_{2C} 1,05

f_{2D} -

f_{HC} 1,01