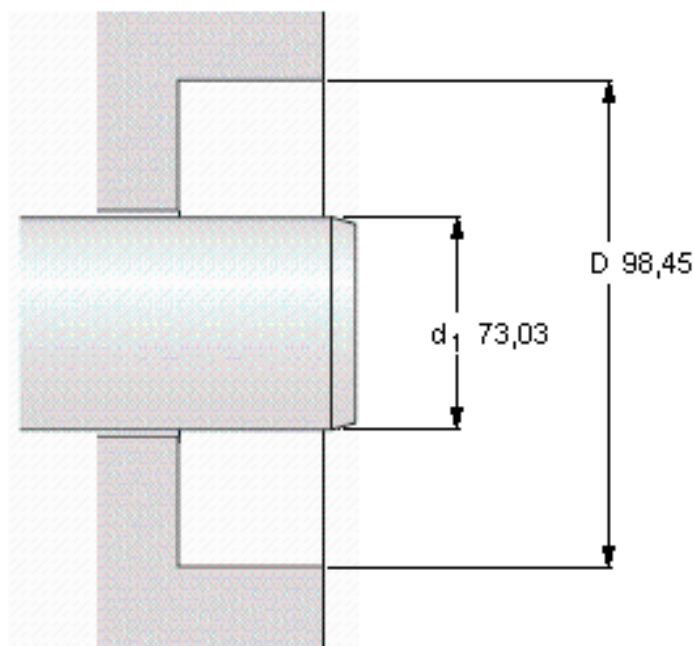
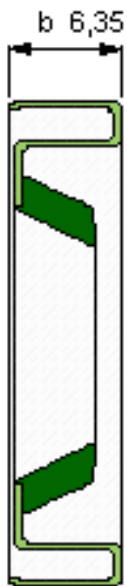


SKF 28751参数

主要尺寸	d ₁	73.03	mm	-
	d1	98.45	mm	-
	b	6.35	mm	-
设计	设计	HM21	-	-
密封唇材料	密封唇材料	R	-	-
Pressuredifferential [MPa/psi]	Pressure differential [MPa / psi]	0.02	-	-
型号	型号	28751	-	-
美国图纸编号	美国图纸编号	28751	-	-

SKF 28751图片



Permissible operating temperature [°C / °F]

最小	最大
-40 / -40	100 / 212
	short periods
	120 / 248

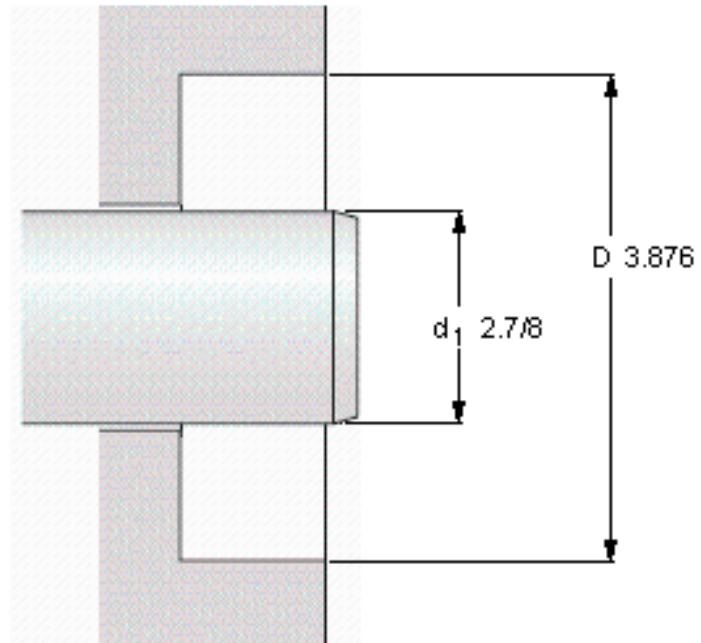
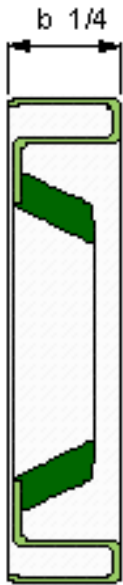
Rotational speed [r/min]

1569
at circumferential speed [m/s / ft/s]
6 / 19,68

Pressure differential [MPa / psi]

0,02 / 2,9

See also "Permissible speeds" and "Chemical and thermal resistance"



Permissible operating temperature [°C / °F]

最小	最大
-40 / -40	100 / 212
	short periods
	120 / 248

Rotational speed [r/min]

1569
at circumferential speed [m/s / ft/s]
6 / 19,68

Pressure differential [MPa / psi]

0,02 / 2,9

See also "Permissible speeds" and "Chemical and thermal resistance"

参考资料:<http://www.sozhou.com/p/42214123.html>