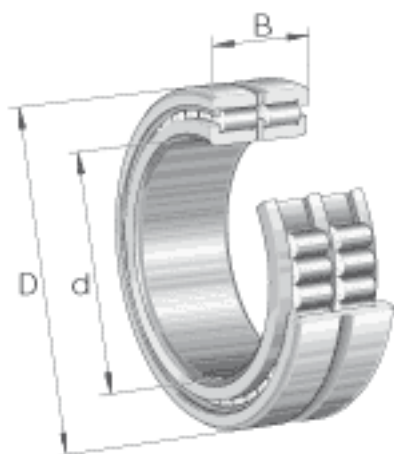


INA SL185076-TB参数

| | | | | |
|--------|-----------|---------|--------|-------------|
| 尺寸 | d | 380 | mm | - |
| | D | 560 | mm | - |
| | B | 243 | mm | - |
| | C | 121.5 | mm | - |
| | D_1 | 499 | mm | - |
| | d_1 | 432 | mm | - |
| | E | 521.25 | mm | - |
| | r_{min} | 5 | mm | - |
| | s | 14.1 | mm | 轴向位移 |
| | 重量 | m | 196500 | g |
| 基本额定载荷 | C_r | 4450000 | N | 基本额定动载荷, 径向 |
| | C_{0r} | 8900000 | N | 基本额定静载荷, 径向 |
| 疲劳极限载荷 | C_{ur} | 850000 | N | 疲劳极限载荷, 径向 |
| 极限转速 | n_G | 660 | r/min | 极限转速 |
| 参考转速 | n_B | 300 | r/min | 参考转速 |

INA SL185076-TB图片



参考资料:<http://www.sozhou.com/p/517f0366.html>

