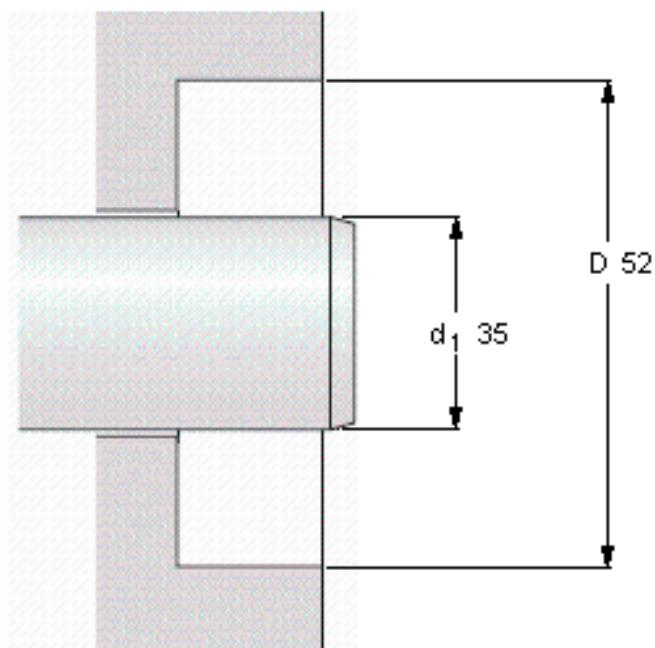


SKF 35X52X8 CRWA1 P参数

主要尺寸	d_1	35	mm	-
	d1	52	mm	-
	b	8	mm	-
设计	设计	CRWA1	-	-
密封唇材料	密封唇材料	P	-	-
Pressuredifferential [MPa/psi]	Pressure differential [MPa / psi]	0.07	-	-
型号	型号	35X52X8 CRWA1 P	-	-
美国图纸编号	美国图纸编号	13947	-	-

SKF 35X52X8 CRWA1 P图片



Permissible operating temperature [°C / °F]

最小	最大
-40 / -40	150 / 302
	short periods
	175 / 347

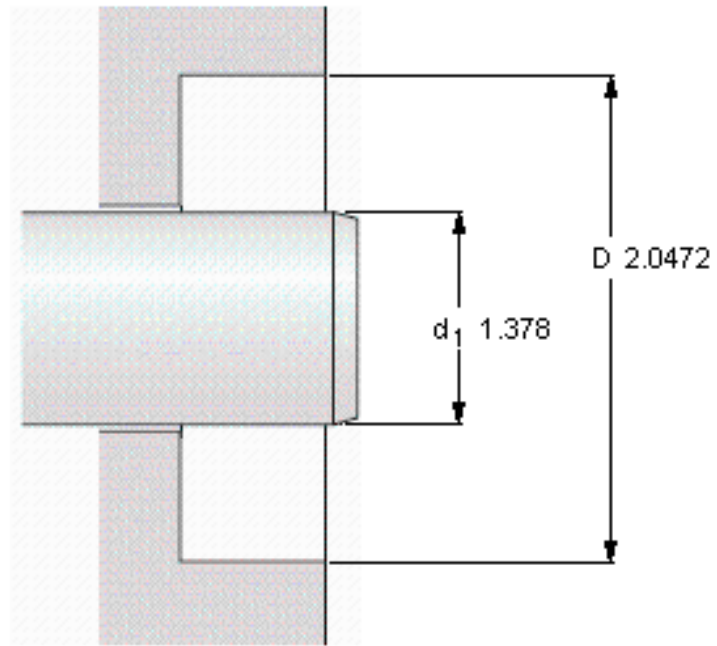
Rotational speed [r/min]

9822
at circumferential speed [m/s / ft/s]
18 / 59,04

Pressure differential [MPa / psi]

0,07 / 10,15

See also "Permissible speeds" and "Chemical and thermal resistance"



Permissible operating temperature [°C / °F]

最小	最大
-40 / -40	150 / 302
	short periods
	175 / 347

Rotational speed [r/min]

9822
at circumferential speed [m/s / ft/s]
18 / 59,04

Pressure differential [MPa / psi]

0,07 / 10,15

See also "Permissible speeds" and "Chemical and thermal resistance"

参考资料:<http://www.sozhou.com/p/5213a82a.html>