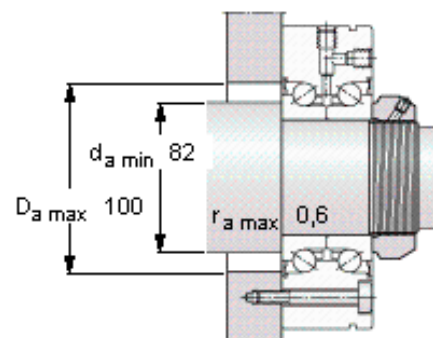
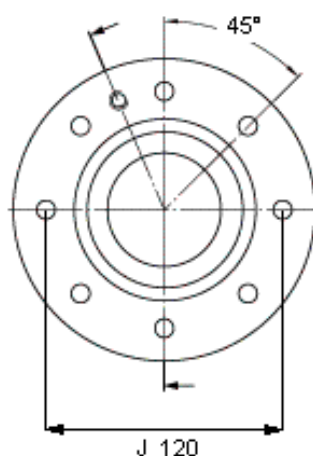
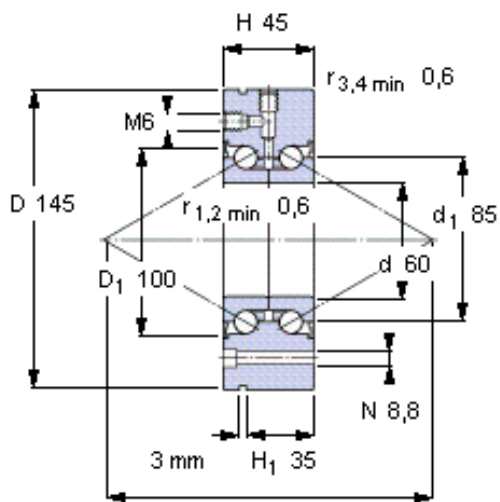


SKF BEAM 060145-2RS参数

主要尺寸	d	60	mm	-
	D	145	mm	-
	H	45	mm	-
基本额定载荷	C	85000	N	动载荷
	C_0	216000	N	静载荷
疲劳载荷极限	P_u	8000	N	-
可达转速	Attainable speed	1600	r/min	-
重量	重量	4300	g	-
型号	型号	BEAM 060145-2RS	-	-

SKF BEAM 060145-2RS图片



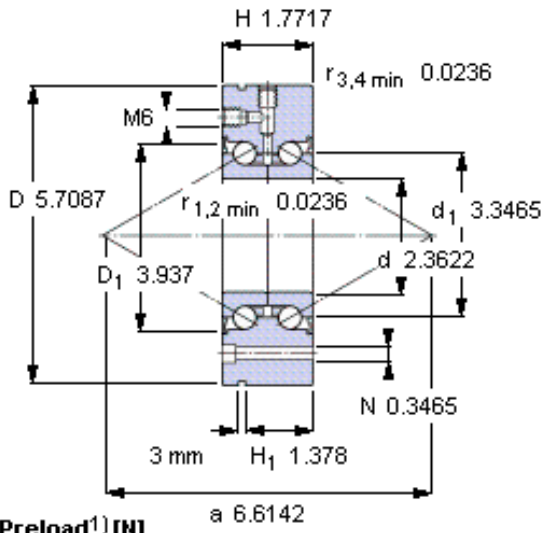
Preload¹⁾ [N]
4700
Frictional moment¹⁾ [Nm]
(guideline value)
2

Static stiffness¹⁾
(guideline values)
Axial [N/μm] 1400
Moment [Nm/mrad] 1750

Required attachment bolts
(no. of bolts x pitch)
8 x 45°

¹⁾ Values apply to unmounted bearings

参考资料: <http://www.sozhou.com/p/552115c3.html>



Preload¹⁾ [N]

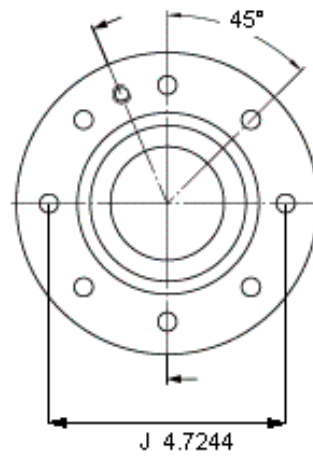
4700

Frictional moment¹⁾ [Nm]

(guideline value)

2

¹⁾ Values apply to unmounted bearings

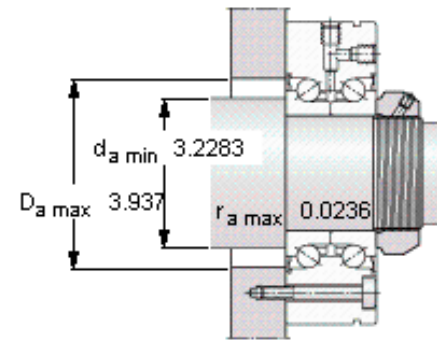


Static stiffness¹⁾

(guideline values)

Axial [N/μm] 1400

Moment [Nm/mrad] 1750



Required attachment bolts

(no. of bolts x pitch)

8 x 45°