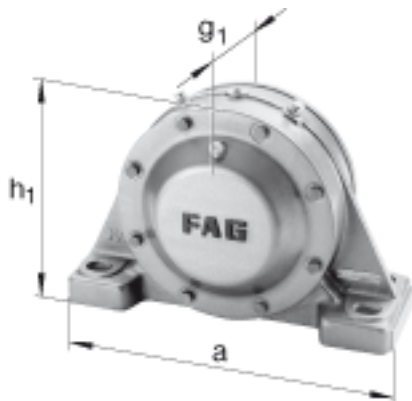
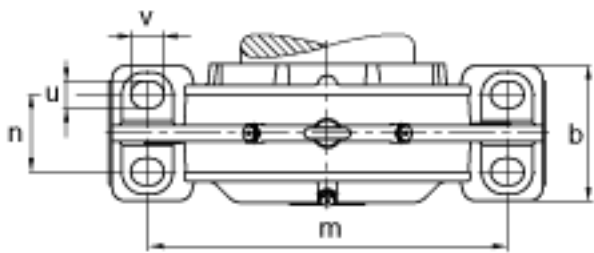
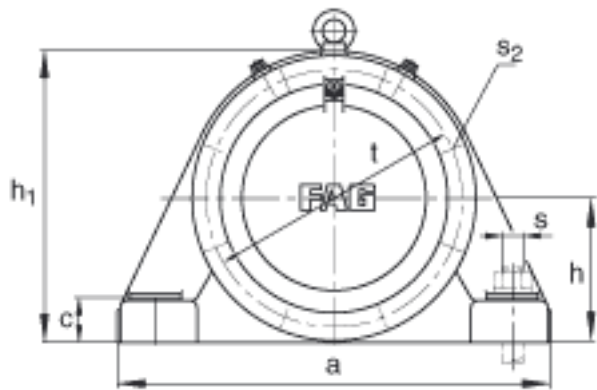
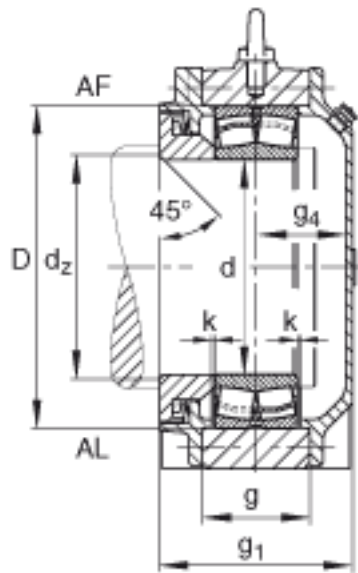


FAG BND3038-Z-T-AF-S参数

| | | | | |
|----|-------|---------|-----|---------|
| 尺寸 | d | 190 | mm | - |
| | a | 570 | mm | - |
| | h_1 | 370 | mm | - |
| | g_1 | 181 | mm | - |
| | c | 55 | mm | - |
| | D | 290 | mm | - |
| | d_z | 198 | mm | - |
| | g | 105 | mm | - |
| | g_4 | 80 | mm | - |
| | h | 185 | mm | - |
| | m | 480 | mm | - |
| | n | 105 | mm | - |
| | s | M30 | | - |
| | 说明 | s_2 | M12 | |
| 尺寸 | t | 325 | mm | - |
| | u | 36 | mm | - |
| | v | 45 | mm | - |
| 说明 | s_2 | 8 | | 数量 |
| | | 23038 | | 型号, 轴承 |
| | | BND3038 | | 型号, 轴承座 |
| 尺寸 | b | 180 | mm | - |
| 重量 | m_1 | 80000 | g | 质量, 轴承座 |

FAG BND3038-Z-T-AF-S图片





参考资料:<http://www.sozhou.com/p/59418fb9.html>