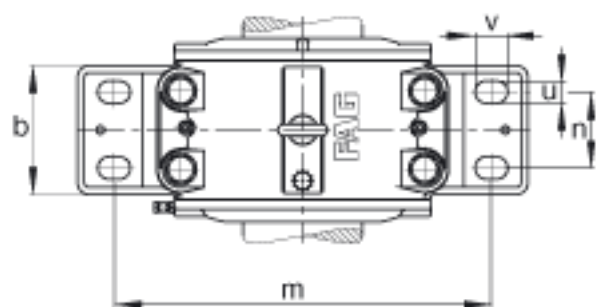
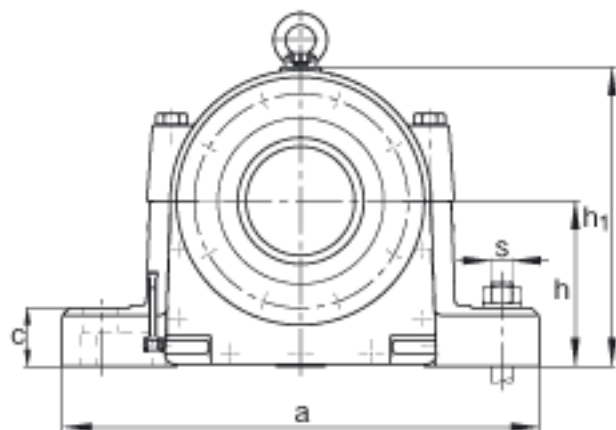
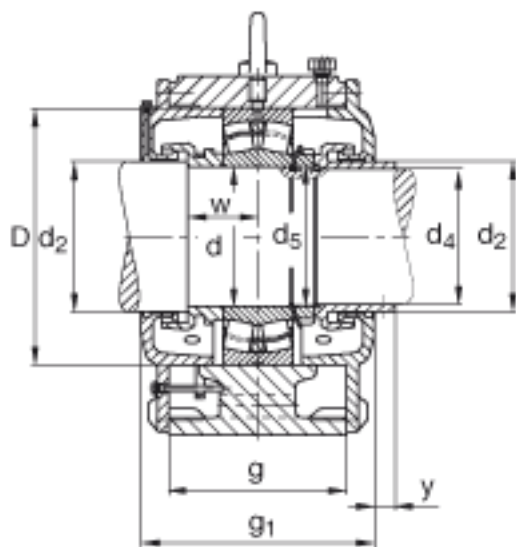
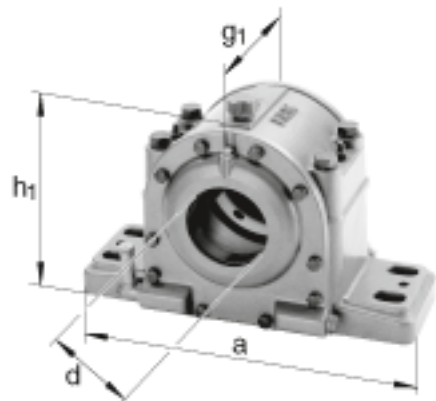


FAG LOE330-N-BF-L参数

| | | | | |
|----|-------|---------------|----|----------|
| 说明 | | 6.2 1 | | 初始润滑油量 |
| 重量 | m_1 | 200000 | g | 质量, 轴承座 |
| 说明 | | LOE330-N-BF-L | | 型号, 轴承座 |
| 尺寸 | d | 150 | mm | - |
| | a | 760 | mm | - |
| | h_1 | 465 | mm | - |
| | g_1 | 335 | mm | - |
| 说明 | | 75-110 | mm | 油位高度 |
| 尺寸 | b | 200 | mm | - |
| | c | 85 | mm | - |
| | D | 320 | mm | - |
| | d_2 | 160 | mm | - |
| | d_4 | 147 | mm | - |
| | d_5 | M150x2 | | - |
| | g | 240 | mm | - |
| | h | 265 | mm | - |
| | m | 630 | mm | - |
| | n | 125 | mm | - |
| | s | M36 | | - |
| | u | 42 | mm | - |
| | v | 60 | mm | - |
| | w | 95 | mm | - |
| y | 15 | mm | - | |
| 说明 | | 22330 | | 型号, 轴承 |
| | | KM30 | | 型号, 锁紧螺母 |
| | | MB30 | | 型号, 爪式垫圈 |

FAG LOE330-N-BF-L图片



参考资料:<http://www.sozhou.com/p/6748263e.html>