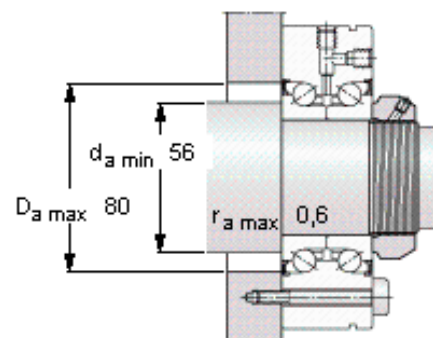
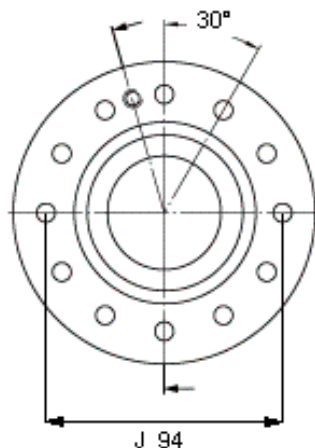
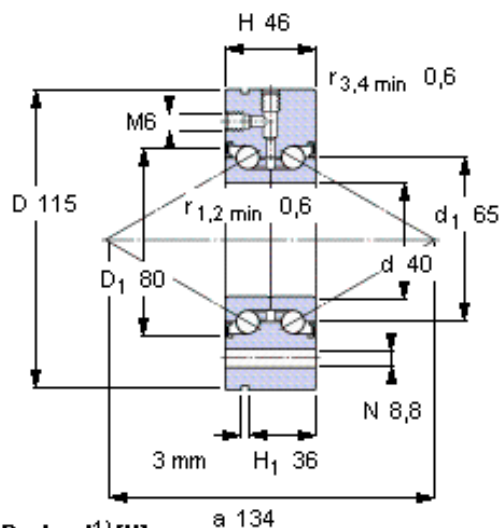


SKF BEAM 040115-2RZ参数

主要尺寸	d	40	mm	-
	D	115	mm	-
	H	46	mm	-
基本额定载荷	C	71500	N	动载荷
	C_0	150000	N	静载荷
疲劳载荷极限	P_u	5500	N	-
可达转速	Attainable speed	3000	r/min	-
重量	重量	2200	g	-
型号	型号	BEAM 040115-2RZ	-	-

SKF BEAM 040115-2RZ图片



Preload¹⁾ [N]

4750

Frictional moment¹⁾ [Nm]

(guideline value)

0,65

¹⁾ Values apply to unmounted bearings

Static stiffness¹⁾

(guideline values)

Axial [N/μm]

1150

Moment [Nm/mrad]

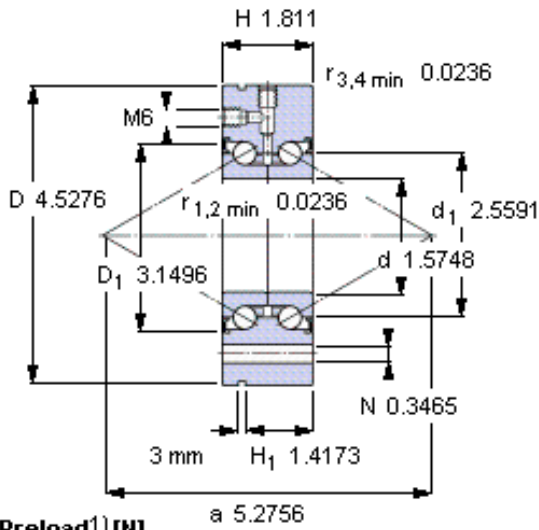
720

Required attachment bolts

(no. of bolts x pitch)

12 x 30°

参考资料: <http://www.sozhou.com/p/6bd9b37b.html>



Preload¹⁾ [N]

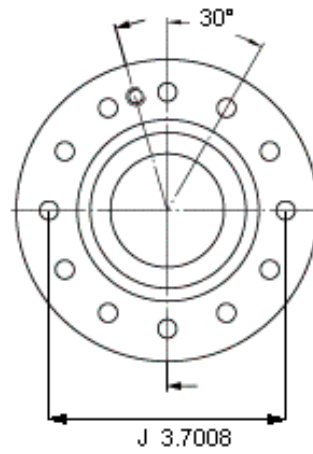
4750

Frictional moment¹⁾ [Nm]

(guideline value)

0,65

¹⁾ Values apply to unmounted bearings

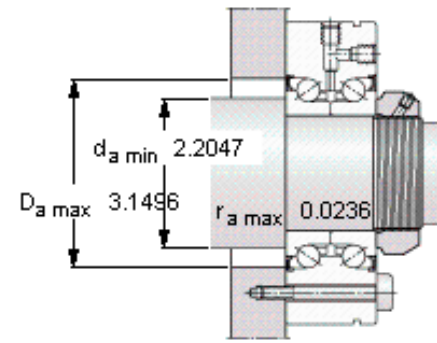


Static stiffness¹⁾

(guideline values)

Axial [N/μm] 1150

Moment [Nm/mrad] 720



Required attachment bolts

(no. of bolts x pitch)

12 x 30°