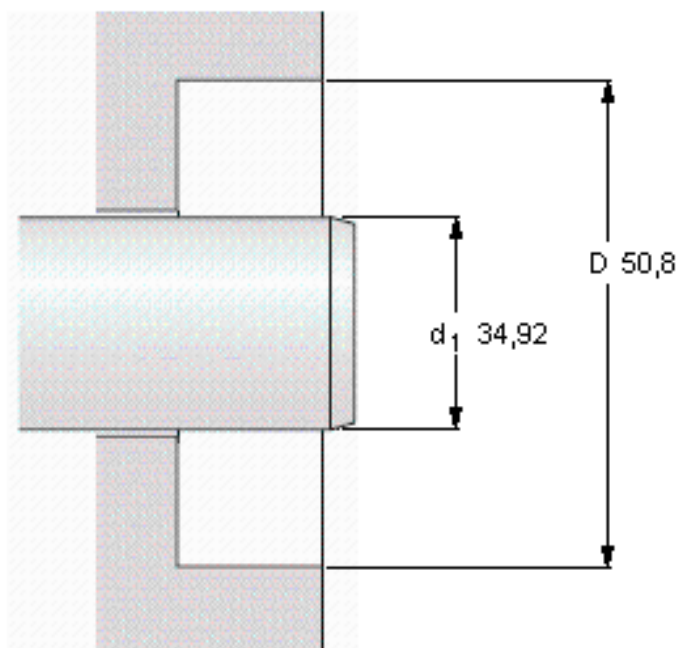
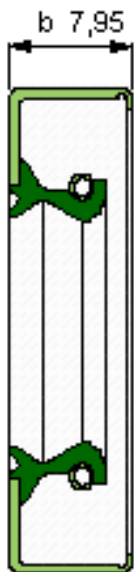


SKF 13581参数

主要尺寸	d_1	34.92	mm	-
	d1	50.8	mm	-
	b	7.95	mm	-
设计	设计	CRWA1	-	-
密封唇材料	密封唇材料	V	-	-
Pressuredifferential [MPa/psi]	Pressure differential [MPa / psi]	0.07	-	-
型号	型号	13581	-	-
美国图纸编号	美国图纸编号	13581	-	-

SKF 13581图片



Permissible operating temperature [°C / °F]

最小	最大
-40 / -40	200 / 392
	short periods
	220 / 428

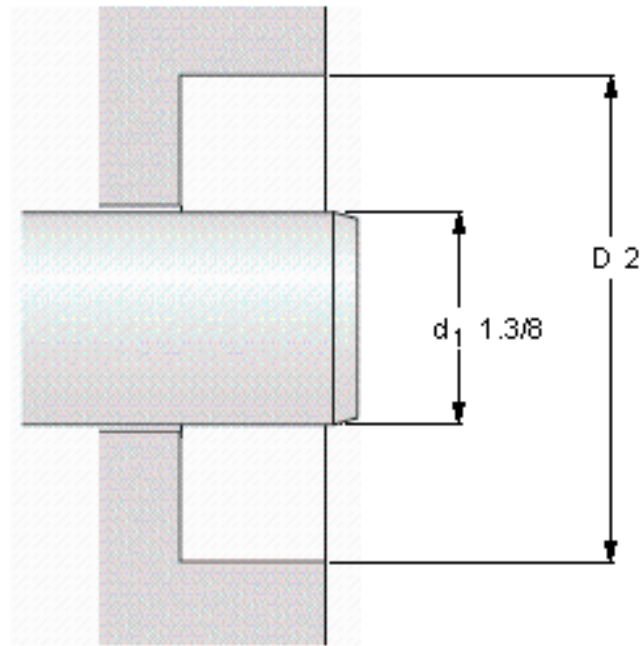
Rotational speed [r/min]

9843
at circumferential speed [m/s / ft/s]
18 / 59,04

Pressure differential [MPa / psi]

0,07 / 10,15

See also "Permissible speeds" and "Chemical and thermal resistance"



Permissible operating temperature [°C / °F]

最小	最大
-40 / -40	200 / 392
	short periods
	220 / 428

Rotational speed [r/min]

9843
at circumferential speed [m/s / ft/s]
18 / 59,04

Pressure differential [MPa / psi]

0,07 / 10,15

See also "Permissible speeds" and "Chemical and thermal resistance"

参考资料:<http://www.sozhou.com/p/6e1f1136.html>