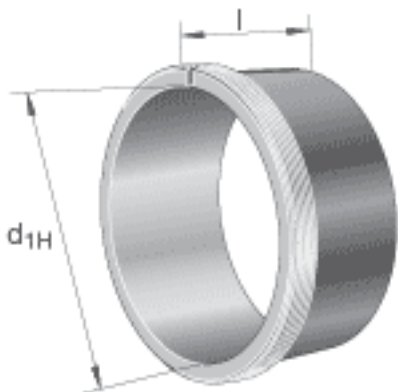
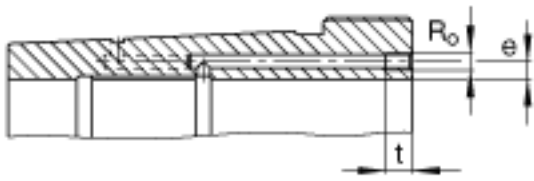


FAG AH241/670G-H参数

| | | | | |
|----|----------|---------|----|----|
| 尺寸 | d_{1H} | 630 | mm | - |
| | l | 452 | mm | - |
| | a | 26 | mm | - |
| | b | 40 | mm | - |
| | d | 670 | mm | - |
| | d_{2G} | Tr710x7 | mm | - |
| | e | 12 | mm | - |
| | R_o | G1/4 | | - |
| | t | 15 | mm | - |
| 说明 | | 630 | mm | 轴 |
| 重量 | m | 180000 | g | 质量 |

FAG AH241/670G-H图片





参考资料:<http://www.sozhou.com/p/74328792.html>