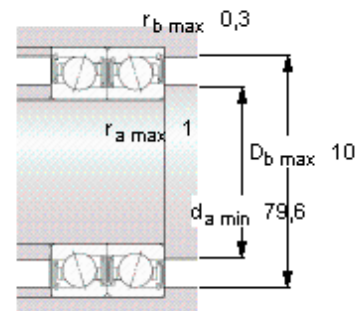
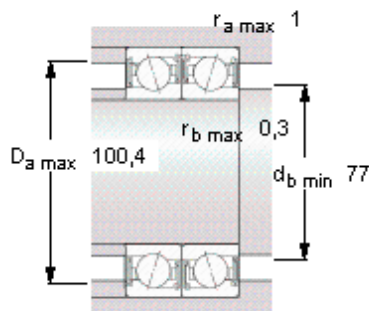
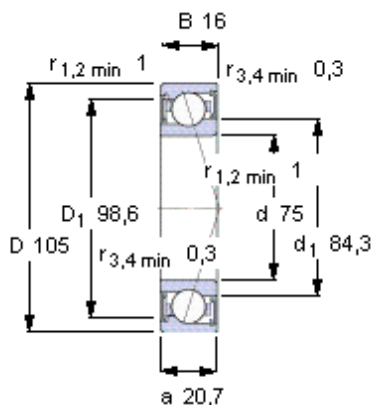


SKF S71915 CE/P4A参数

主要尺寸	d	75	mm	-
	D	105	mm	-
	B	16	mm	-
基本额定载荷	C	22500	N	动载荷
	C_0	17000	N	静载荷
疲劳载荷极限	P_u	720	N	-
可达转速	Grease	17500	r/min	-
	Oil-air	-	r/min	-
重量	重量	340	g	-
型号	型号	S71915 CE/P4A	-	-

SKF S71915 CE/P4A图片



Ball diameter 9,525

Number of balls 23

未安装时的预载荷 [N]

背对背配置，面对面配置

预载荷等级

A	B	C	D
120	361	722	-

Static axial stiffness [N/μm]

(guideline value)

预载荷等级

A	B	C	D
54	86	118	-

Reference grease quantity [cm³]

G_{ref} -

计算系数

for equivalent bearing load

f_0 8,5

for preload in mounted bearing sets

f 1,16

f_1 1

f_{2A} 1

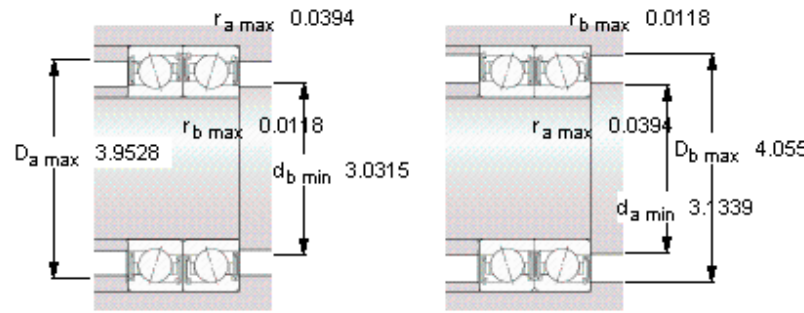
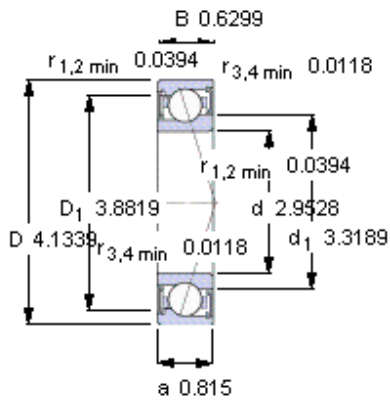
f_{2B} 1,04

f_{2C} 1,08

f_{2D} -

f_{HC} 1

参考资料: <http://www.sozhou.com/p/743731ae.html>



Ball diameter 9,525

Number of balls 23

未安装时的预载荷 [N]

背对背配置，面对面配置

预载荷等级

A	B	C	D
120	361	722	-

Static axial stiffness [N/μm]

(guideline value)

预载荷等级

A	B	C	D
54	86	118	-

Reference grease quantity [cm³]

G_{ref} -

计算系数

for equivalent bearing load

f₀ 8,5

for preload in mounted bearing sets

f 1,16

f₁ 1

f_{2A} 1

f_{2B} 1,04

f_{2C} 1,08

f_{2D} -

f_{HC} 1