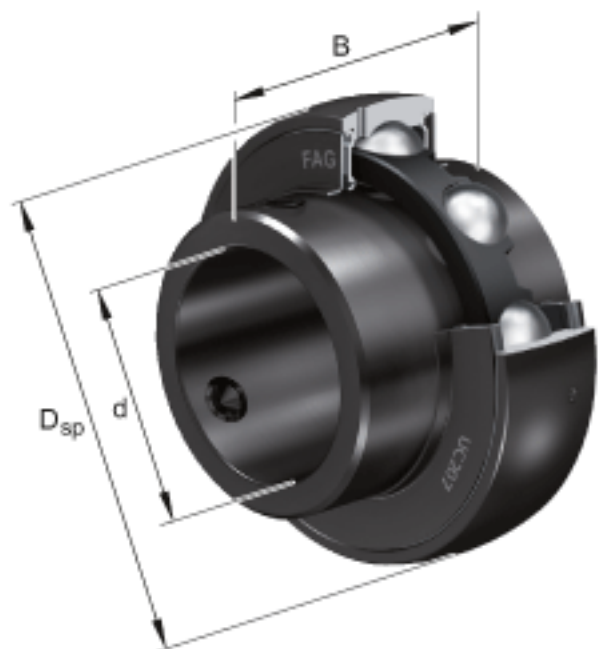


FAG UC216-50参数

| | | | | |
|--------|----------|--------|----|-------------|
| 尺寸 | d | 79.375 | mm | - |
| | D_{SP} | 140 | mm | - |
| | B | 82.6 | mm | - |
| | A | 14 | mm | - |
| | C | 33 | mm | - |
| | C_2 | 34.4 | mm | - |
| | C_a | 9.3 | mm | - |
| | d_1 | 97 | mm | - |
| | S | 33.3 | mm | - |
| | W | 6.35 | mm | - |
| 重量 | m | 2760 | g | 重量 |
| 基本额定载荷 | C_r | 72000 | N | 基本额定动载荷, 径向 |
| | C_{0r} | 54000 | N | 基本额定静载荷, 径向 |

FAG UC216-50图片



参考资料:<http://www.sozhou.com/p/96c6ffcc.html>

