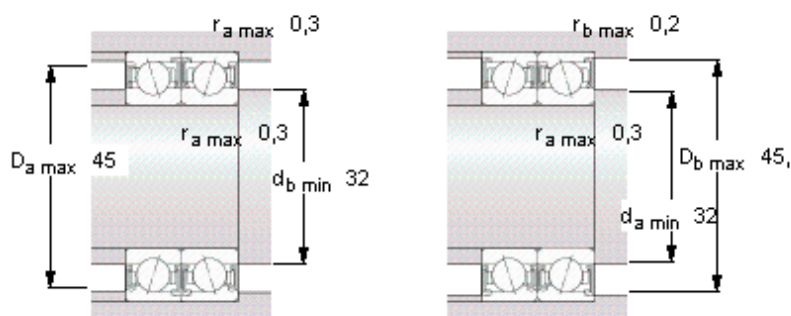
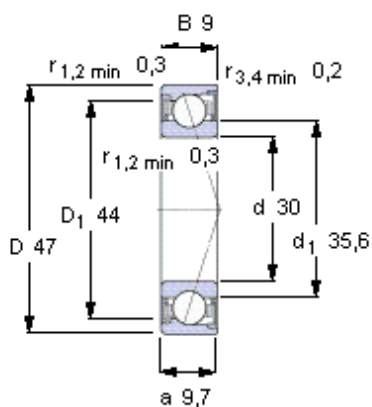


SKF S71906 CD/HCP4A参数

主要尺寸	d	30	mm	-
	D	47	mm	-
	B	9	mm	-
基本额定载荷	C	7150	N	动载荷
	C_0	4550	N	静载荷
疲劳载荷极限	P_u	193	N	-
可达转速	Grease	38000	r/min	-
	Oil-air	-	r/min	-
重量	重量	44	g	-
型号	型号	S71906 CD/HCP4A	-	-

SKF S71906 CD/HCP4A图片



Ball diameter 4,762
Number of balls 20

未安装时的预载荷 [N]
背对背配置，面对面配置
预载荷等级

A	B	C	D
25	50	100	200

Static axial stiffness [N/μm]
(guideline value)

预载荷等级

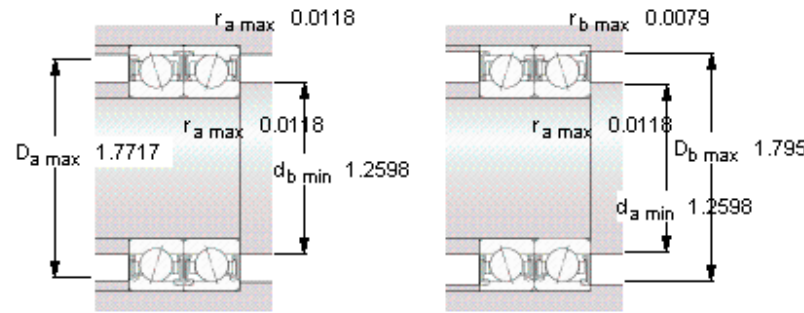
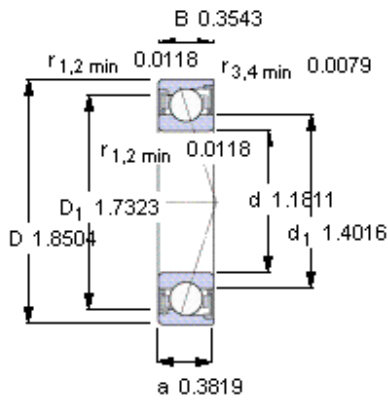
A	B	C	D
29	39	53	74

Reference grease quantity [cm³]
 G_{ref} -

计算系数
for equivalent bearing load
 f_0 10,4

for preload in mounted bearing sets
f 1,08
f₁ 1
f_{2A} 1
f_{2B} 1,07
f_{2C} 1,12
f_{2D} 1,18
f_{HC} 1,04

参考资料: <http://www.sozhou.com/p/a1ae3eb2.html>



Ball diameter 4,762

Number of balls 20

未安装时的预载荷 [N]

背对背配置，面对面配置

预载荷等级

A	B	C	D
25	50	100	200

Static axial stiffness [N/μm]

(guideline value)

预载荷等级

A	B	C	D
29	39	53	74

Reference grease quantity [cm³]

G_{ref} -

计算系数

for equivalent bearing load

f₀ 10,4

for preload in mounted bearing sets

f 1,08

f₁ 1

f_{2A} 1

f_{2B} 1,07

f_{2C} 1,12

f_{2D} 1,18

f_{HC} 1,04