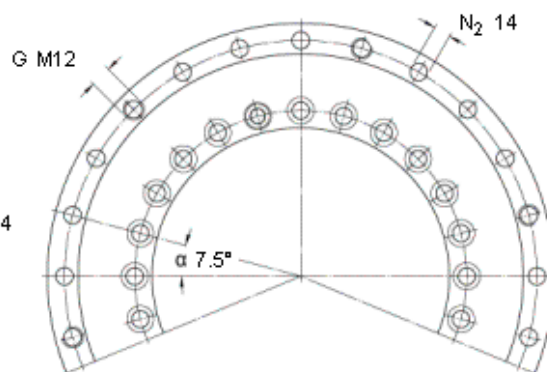
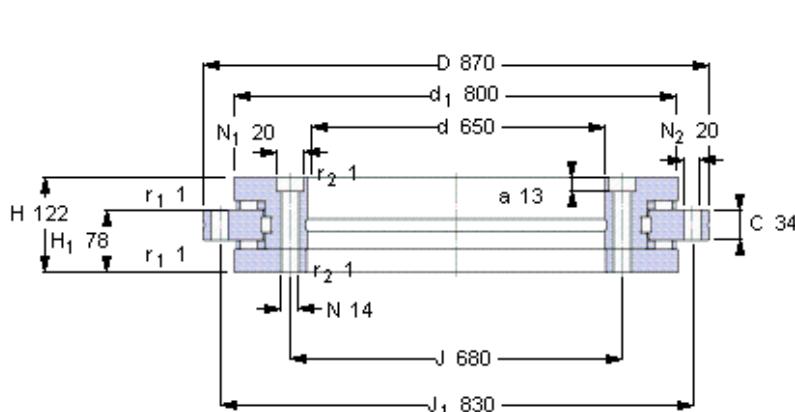


SKF NRT 650 A参数

主要尺寸	d	650	mm	-
	D	870	mm	-
	H	122	mm	-
基本额定载荷	C	413000	N	动载荷
	C_0	1600000	N	静载荷
	C	365000	N	动载荷
	C_0	5000000	N	静载荷
极限转速	Grease lubrication	55	r/min	-
	Oil lubrication	110	r/min	-
Guideline rotary table diameter	Guideline rotary table diameter	1450	mm	-
重量	重量	170000	g	-
型号	型号	NRT 650 A	-	-

SKF NRT 650 A图片



Axial preload [kN] (average value)	27
Axial unloading force [kN] (average value)	59
Frictional moment C_{RL} [Nm] (guideline value)	200
Stiffness (values refer to the roller set)	
Axial [kN/ μ m]	60
Radial [kN/ μ m]	17,2
Movement [kNm/mrad]	3209

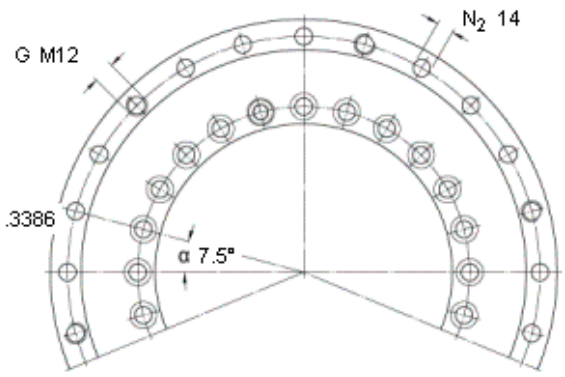
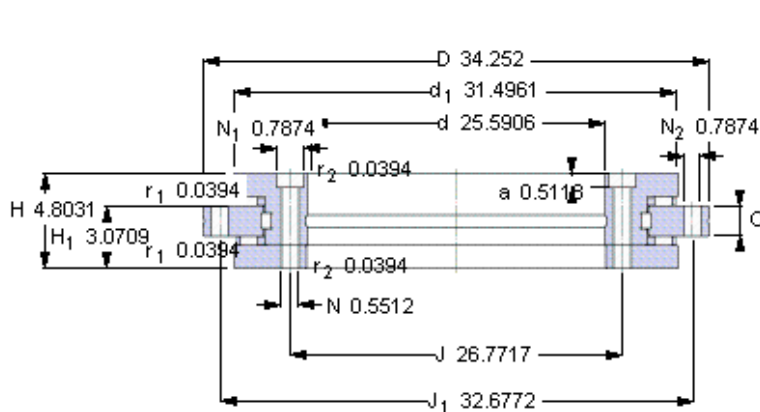
Retaining bolts 2 x M12 , 180°

Removal threads G 6 x M12 , 60°

Required attachment bolts

Shaft (no. of bolts x pitch) 46 x 7.5°
with 2 positions omitted at 180° apart at retaining bolt positions
Housing (no. of bolts x pitch) 42 x 7.5°
with 6 positions omitted at 60° apart at removal thread positions

Recommended tightening torque for attachment bolts grade 10.9 [Nm]
116 (M12)



Axial preload [kN] 27
(average value)

Axial unloading force [kN] 59
(average value)

Frictional moment C_{RL} [Nm] 200
(guideline value)

Stiffness
(values refer to the roller set)

Axial [kN/ μ m]	60
Radial [kN/ μ m]	17,2
Movement [kNm/mrad]	3209

Retaining bolts 2 x M12 , 180°

Removal threads G 6 x M12 , 60°

Required attachment bolts

Shaft (no. of bolts x pitch)	46 x 7.5°
with 2 positions omitted at 180° apart at retaining bolt positions	
Housing (no. of bolts x pitch)	42 x 7.5°
with 6 positions omitted at 60° apart at removal thread positions	

Recommended tightening torque for attachment bolts grade 10.9 [Nm]
4.5669 (M12)

参考资料: <http://www.sozhou.com/p/a2141cbe.html>