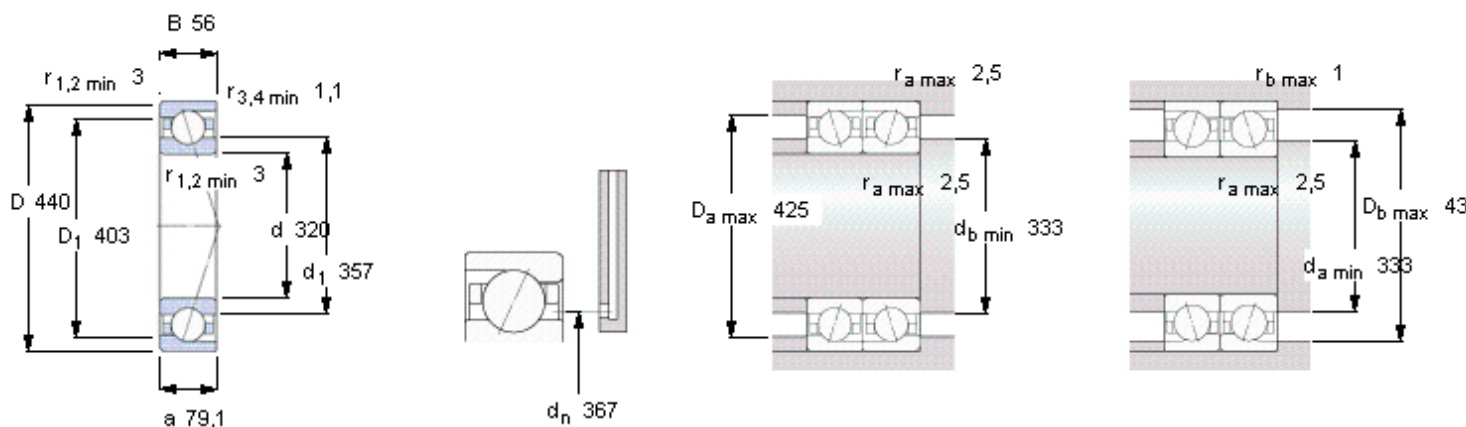


SKF 71964 CDMA/P4A参数

主要尺寸	d	320	mm	-
	D	440	mm	-
	B	56	mm	-
基本额定载荷	C	377000	N	动载荷
	C_0	620000	N	静载荷
疲劳载荷极限	P_u	13700	N	-
可达转速	Grease	2600	r/min	-
	Oil-air	4300	r/min	-
重量	重量	24000	g	-
型号	型号	71964 CDMA/P4A	-	-

SKF 71964 CDMA/P4A图片



Ball diameter 38,1

Number of balls 27

未安装时的预载荷 [N]

背对背配置，面对面配置

预载荷等级

A	B	C	D
1400	2800	5600	11200

Static axial stiffness [N/ μ m]

(guideline value)

预载荷等级

A	B	C	D
281	380	530	765

Reference grease quantity [cm³]

G_{ref} 282

计算系数

for equivalent bearing load

f_0 16,5

for preload in mounted bearing sets

f 1,24

f_1 1

f_{2A} 1

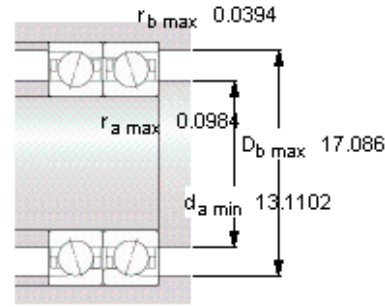
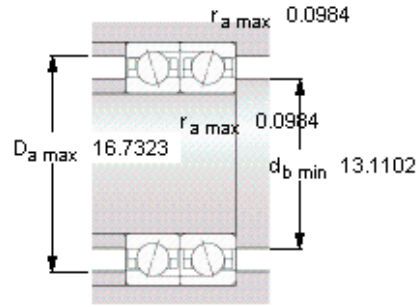
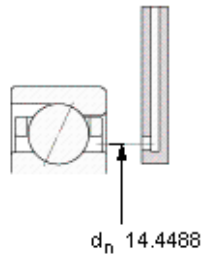
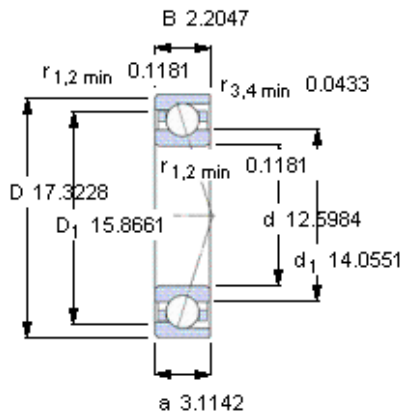
f_{2B} 1,04

f_{2C} 1,09

f_{2D} 1,15

f_{HC} 1

参考资料: <http://www.sozhou.com/p/a2d75d3c.html>



Ball diameter 38,1
Number of balls 27

未安装时的预载荷 [N]

背对背配置，面对面配置

预载荷等级

A	B	C	D
1400	2800	5600	11200

Static axial stiffness [N/μm]

(guideline value)

预载荷等级

A	B	C	D
281	380	530	765

Reference grease quantity [cm³]

G_{ref} 282

计算系数

for equivalent bearing load

f₀ 16,5

for preload in mounted bearing sets

- f 1,24
- f₁ 1
- f_{2A} 1
- f_{2B} 1,04
- f_{2C} 1,09
- f_{2D} 1,15
- f_{HC} 1