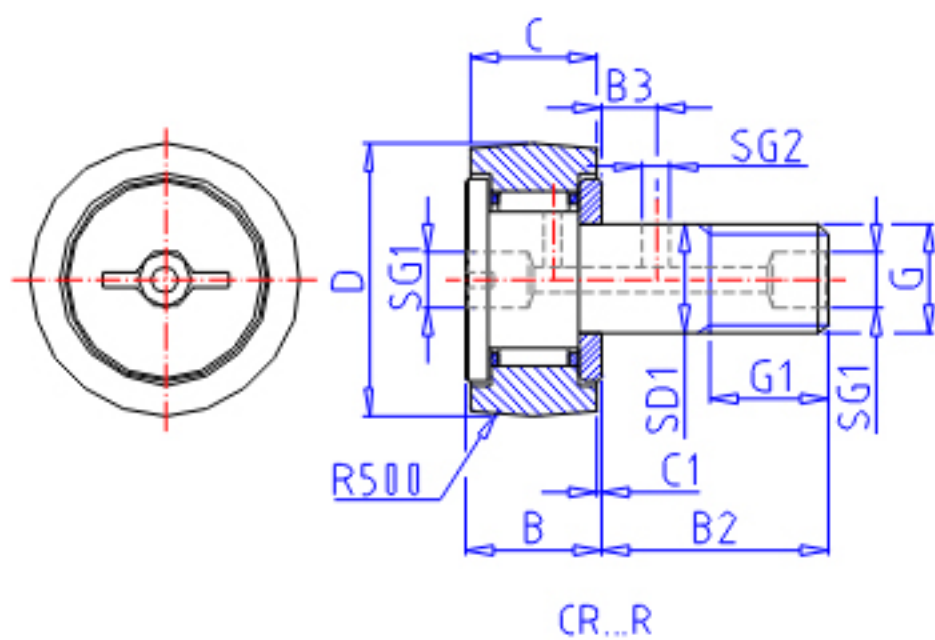


IKO CR 10参数

| | | | | | |
|--------|--------|--------|--------|------|---|
| 杆端直径 | STDRT | 6.350 | mm | 杆端直径 | |
| 型号 | ORDER | CR 10 | | 型号 | |
| 重量 | MASS | 19 | g | 重量 | |
| 主要尺寸 | D | 15.875 | mm | - | |
| | C | 10.319 | mm | - | |
| | SD1 | 6.350 | mm | - | |
| | G | 1/4-28 | | 螺纹规格 | |
| | G1 | 7.938 | mm | 螺纹尺寸 | |
| | B | 11.8 | mm | - | |
| | B2 | 15.875 | mm | - | |
| | B3 | - | mm | - | |
| | C1 | 0.794 | mm | - | |
| | SG1 | 3.175 | mm | - | |
| | SG2 | - | mm | - | |
| | SR | 0.397 | mm | (最小) | |
| | 安装尺寸 | SF | 11.509 | mm | - |
| | 最大拧紧扭矩 | TRQ | 3.4 | N. m | - |
| 基本额定载荷 | CR | 3650 | N | 动载荷 | |
| | COR | 3670 | N | 静载荷 | |

IKO CR 10图片





参考资料:<http://www.sozhou.com/p/b22f49d3.html>

