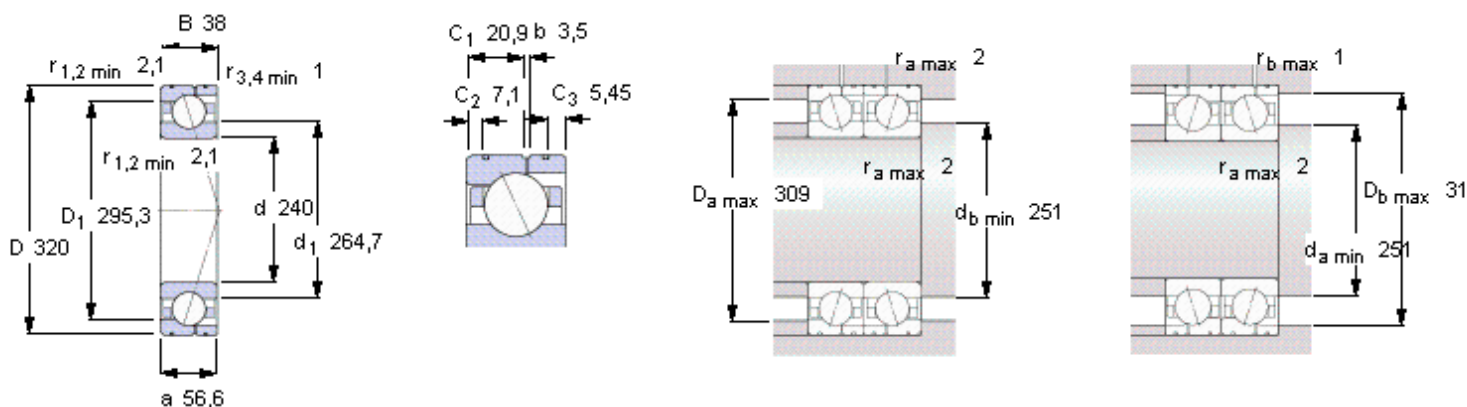


SKF 71948 CD/P4AL 参数

主要尺寸	d	240	mm	-
	D	320	mm	-
	B	38	mm	-
基本额定载荷	C	229000	N	动载荷
	C_0	325000	N	静载荷
疲劳载荷极限	P_u	8150	N	-
可达转速	Grease	3800	r/min	-
	Oil-air	5600	r/min	-
重量	重量	8500	g	-
型号	型号	71948 CD/P4AL	-	-

SKF 71948 CD/P4AL 图片



Ball diameter 25,4
Number of balls 31

未安装时的预载荷 [N]

背对背配置，面对面配置

预载荷等级

A	B	C	D
860	1720	3440	6880

Static axial stiffness [N/μm]

(guideline value)

预载荷等级

A	B	C	D
237	325	461	678

Reference grease quantity [cm³]

G_{ref} 93

计算系数

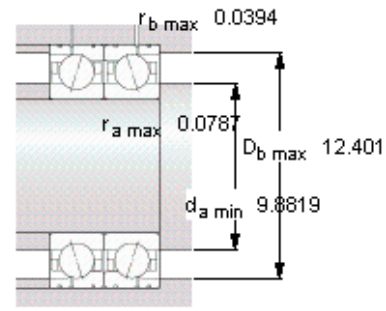
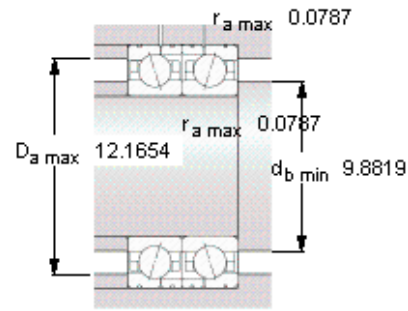
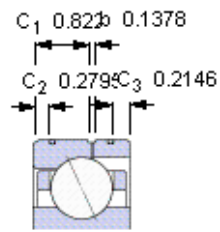
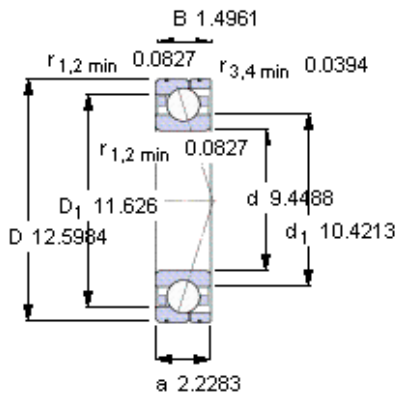
for equivalent bearing load

f_0 16,7

for preload in mounted bearing sets

f 1,32
 f_1 1
 f_{2A} 1
 f_{2B} 1,04
 f_{2C} 1,09
 f_{2D} 1,15
 f_{HC} 1

参考资料: <http://www.sozhou.com/p/c1c736bb.html>



Ball diameter 25,4

Number of balls 31

未安装时的预载荷 [N]

背对背配置，面对面配置

预载荷等级

A	B	C	D
860	1720	3440	6880

Static axial stiffness [N/μm]

(guideline value)

预载荷等级

A	B	C	D
237	325	461	678

Reference grease quantity [cm³]

G_{ref} 93

计算系数

for equivalent bearing load

f₀ 16,7

for preload in mounted bearing sets

f 1,32

f₁ 1

f_{2A} 1

f_{2B} 1,04

f_{2C} 1,09

f_{2D} 1,15

f_{HC} 1