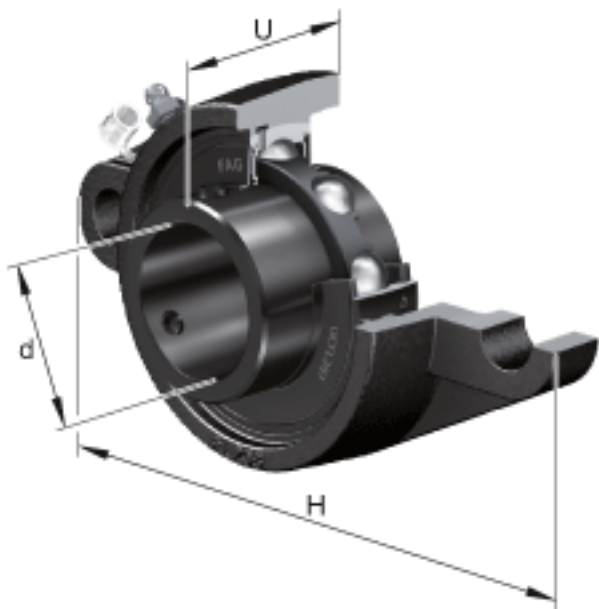
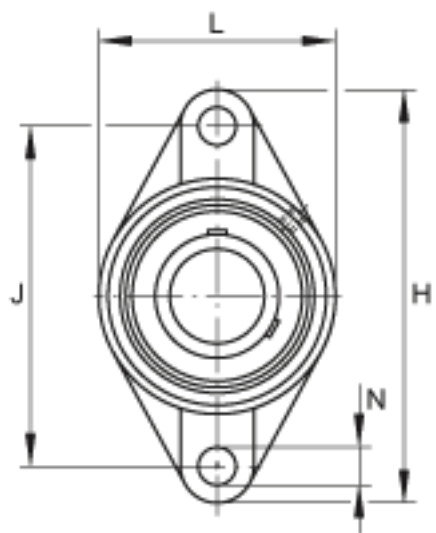


### FAG UCFL210-29参数

|    |                |          |    |            |
|----|----------------|----------|----|------------|
| 尺寸 | d              | 46.0375  | mm | -          |
|    | H              | 197      | mm | -          |
|    | U              | 54.6     | mm | -          |
|    | A              | 40       | mm | -          |
|    | A <sub>1</sub> | 18       | mm | -          |
|    | A <sub>2</sub> | 22       | mm | -          |
|    | B              | 51.6     | mm | -          |
|    | J              | 157      | mm | -          |
|    | L              | 115      | mm | -          |
|    | N              | 19       | mm | -          |
| 重量 | m              | 2340     | g  | 重量         |
| 说明 |                | FL210    |    | 型号, 轴承座    |
|    |                | UC210-29 |    | 型号, 外球面球轴承 |

### FAG UCFL210-29图片





参考资料:<http://www.sozhou.com/p/c26e96f4.html>