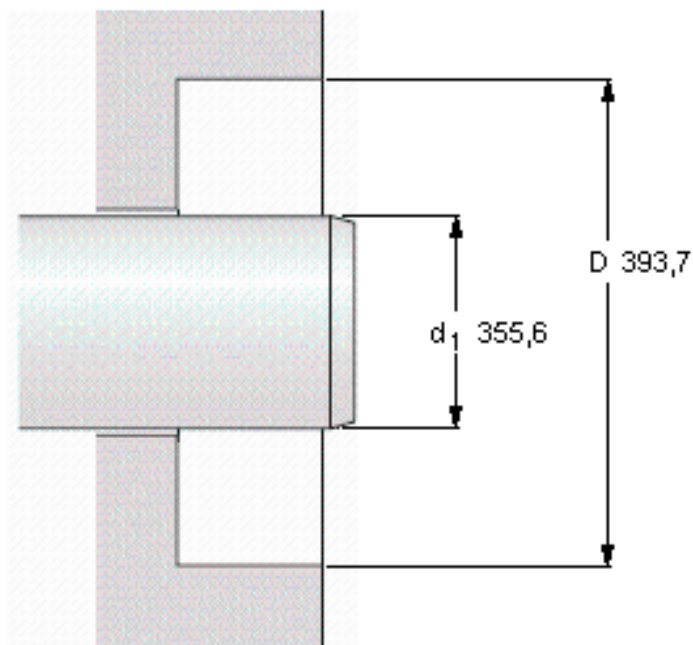
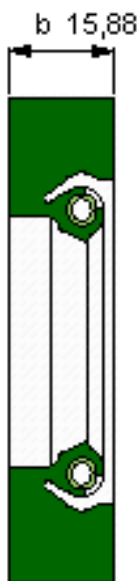


SKF 1400238参数

主要尺寸	$d_1$	355.6	mm	-
	d1	393.7	mm	-
	b	15.88	mm	-
设计	设计	HS8	-	-
密封唇材料	密封唇材料	R	-	-
Pressuredifferential [MPa/psi]	Pressure differential [MPa / psi]	-	-	-
型号	型号	1400238	-	-
美国图纸编号	美国图纸编号	1400238	-	-

SKF 1400238图片



**Permissible operating temperature [°C / °F]**

最小	最大
-40 / -40	100 / 212
	short periods
	120 / 248

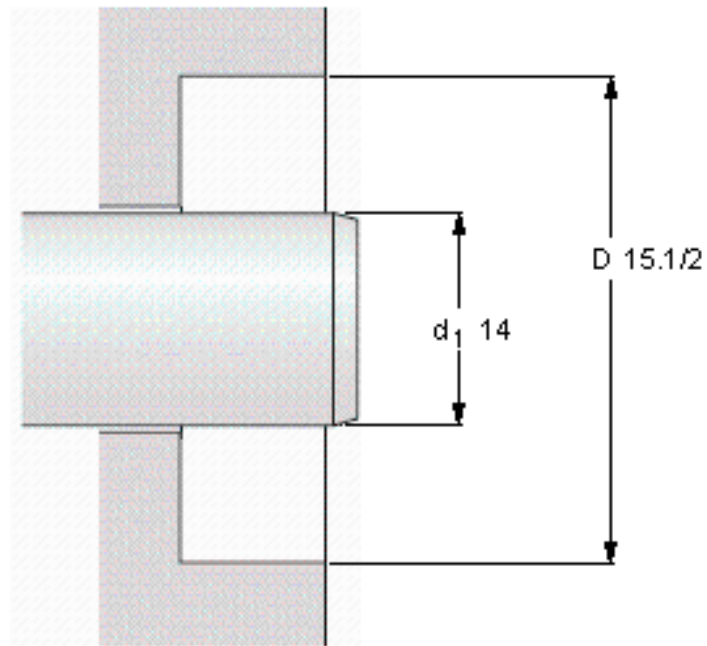
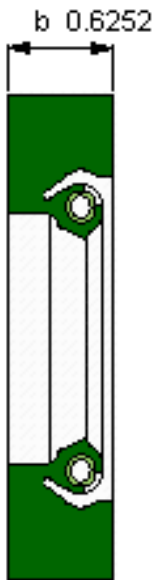
**Rotational speed [r/min]**

537  
at circumferential speed [m/s / ft/s]  
10 / 32,8

**Pressure differential [MPa / psi]**

0 / 0

See also "Permissible speeds" and "Chemical and thermal resistance"



**Permissible operating temperature [°C / °F]**

最小	最大
-40 / -40	100 / 212
	short periods
	120 / 248

**Rotational speed [r/min]**

537
<b>at circumferential speed [m/s / ft/s]</b>
10 / 32,8

**Pressure differential [MPa / psi]**

0 / 0

See also "Permissible speeds" and "Chemical and thermal resistance"

参考资料: <http://www.sozhou.com/p/c2fc8870.html>