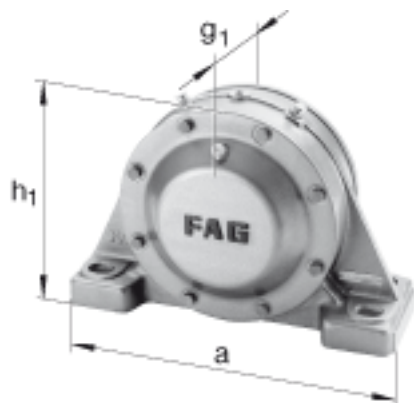
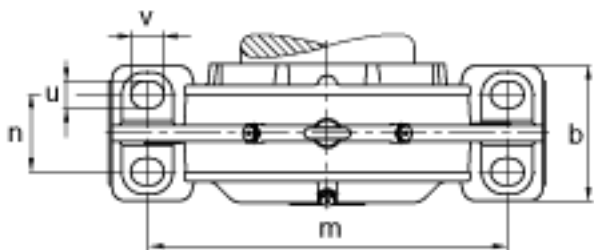
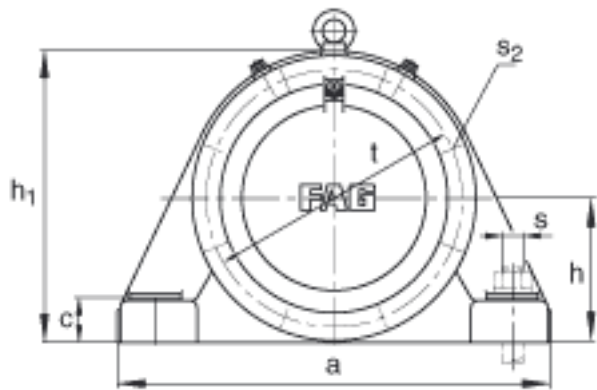
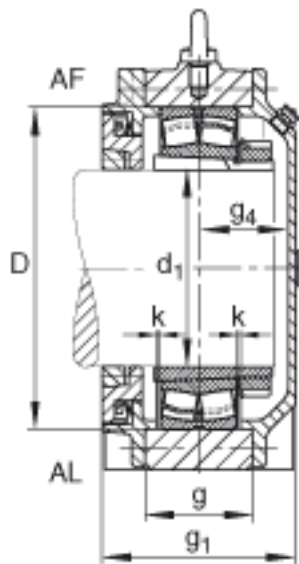


FAG BND2224-H-W-T-AF-S参数

| | | | | |
|----|-------|---------|----|---------|
| 尺寸 | d_1 | 110 | mm | - |
| | a | 470 | mm | - |
| | h_1 | 300 | mm | - |
| | g_1 | 143 | mm | - |
| | b | 140 | mm | - |
| | c | 42 | mm | - |
| | D | 215 | mm | - |
| | g | 77 | mm | - |
| | g_4 | 61 | mm | - |
| | m | 370 | mm | - |
| | n | 75 | mm | - |
| | s | M24 | | - |
| 说明 | s_2 | M12 | | - |
| 尺寸 | t | 245 | mm | - |
| | u | 30 | mm | - |
| | v | 35 | mm | - |
| 说明 | s_2 | 6 | | 数量 |
| | | 22224K | | 型号, 轴承 |
| 其他 | | H3124 | | 质量, 紧定套 |
| 重量 | m_1 | 58000 | g | 质量, 轴承座 |
| 说明 | | BND2224 | | 型号, 轴承座 |
| 尺寸 | h | 150 | mm | - |

FAG BND2224-H-W-T-AF-S图片





参考资料:<http://www.sozhou.com/p/ca1572f4.html>