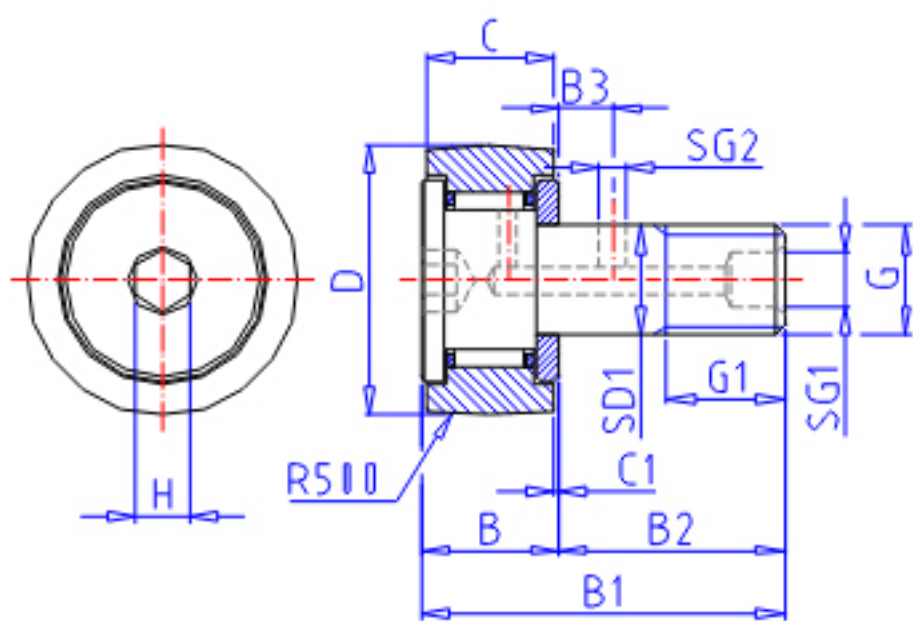


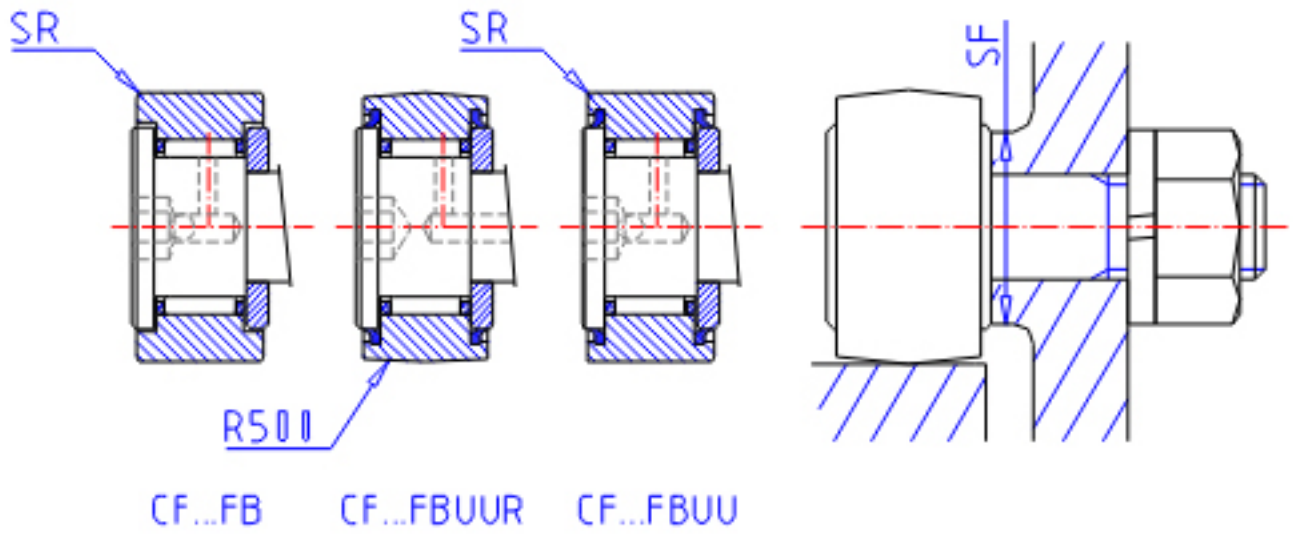
IKO CF 8FB参数

| | | | | | |
|----------|--------|---------|------|----------|---|
| 杆端直径 | STDRT | 8 | mm | 杆端直径 | |
| 型号 | ORDER | CF 8FB | | 型号 | |
| 重量 | MASS | 28.5 | g | 重量 | |
| 主要尺寸 | D | 19 | mm | - | |
| | C | 11 | mm | - | |
| | SD1 | 8 | mm | - | |
| | G | M8x1.25 | | 螺纹规格 | |
| | G1 | 10.0 | mm | 螺纹尺寸 | |
| | B | 12.2 | mm | - | |
| | B1 | 32.2 | mm | - | |
| | B2 | 20.0 | mm | - | |
| | B3 | - | mm | - | |
| | C1 | 0.6 | mm | - | |
| | SG1 | - | mm | - | |
| | SG2 | - | mm | - | |
| | H | 4.0 | mm | - | |
| | SR | 0.3 | mm | (最小) | |
| | 安装尺寸 | SF | 13.0 | mm | - |
| | 最大拧紧扭矩 | TRQ | 6.50 | N. m | - |
| 基本额定载荷 | CR | 3400 | N | 动载荷 | |
| | COR | 3790 | N | 静载荷 | |
| 最大静态容许负荷 | FMAX | 3790 | N | 最大静态容许负荷 | |

IKO CF 8FB图片



CF...FBR



参考资料:<http://www.sozhou.com/p/e2ae97ee.html>

