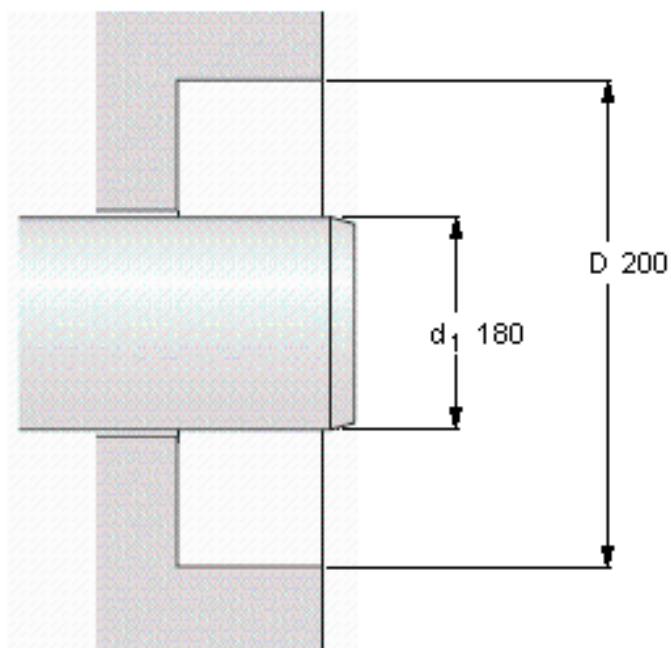
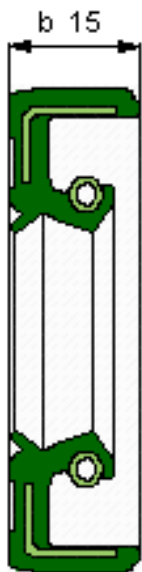


SKF 180X200X15 HMSA10 V参数

主要尺寸	$d_1$	180	mm	-
	d1	200	mm	-
	b	15	mm	-
设计	设计	HMSA10	-	-
密封唇材料	密封唇材料	V	-	-
Pressuredifferential [MPa/psi]	Pressure differential [MPa / psi]	0.03	-	-
型号	型号	180X200X15 HMSA10 V	-	-
美国图纸编号	美国图纸编号	-	-	-

SKF 180X200X15 HMSA10 V图片



**Permissible operating temperature [°C / °F]**

最小	最大
-40 / -40	200 / 392
	short periods
	220 / 428

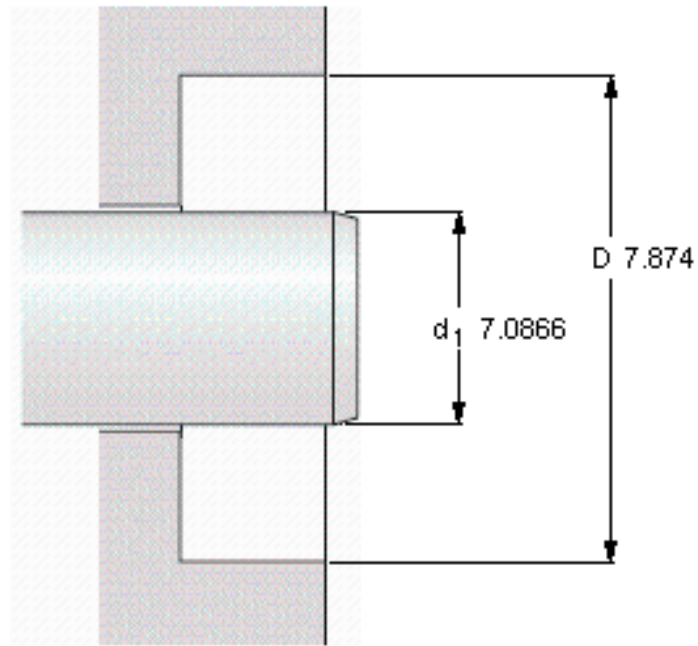
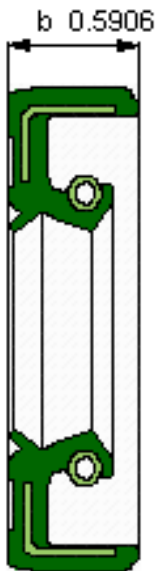
**Rotational speed [r/min]**

1061
<b>at circumferential speed [m/s / ft/s]</b>
10 / 32,8

**Pressure differential [MPa / psi]**

0,03 / 4,35

See also "Permissible speeds" and "Chemical and thermal resistance"



**Permissible operating temperature [°C / °F]**

最小	最大
-40 / -40	200 / 392
	short periods
	220 / 428

**Rotational speed [r/min]**

1061  
**at circumferential speed [m/s / ft/s]**  
 10 / 32,8

**Pressure differential [MPa / psi]**

0,03 / 4,35

See also "Permissible speeds" and "Chemical and thermal resistance"

参考资料:<http://www.sozhou.com/p/e4328e7f.html>