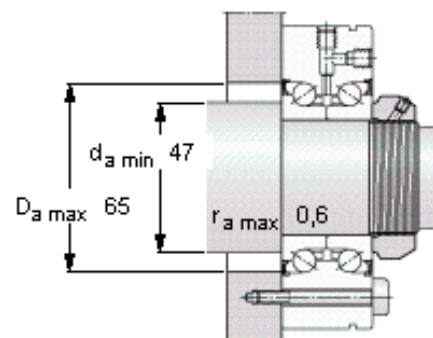
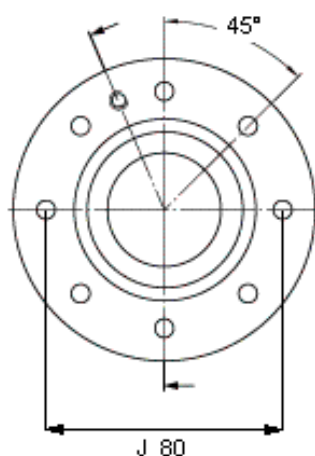
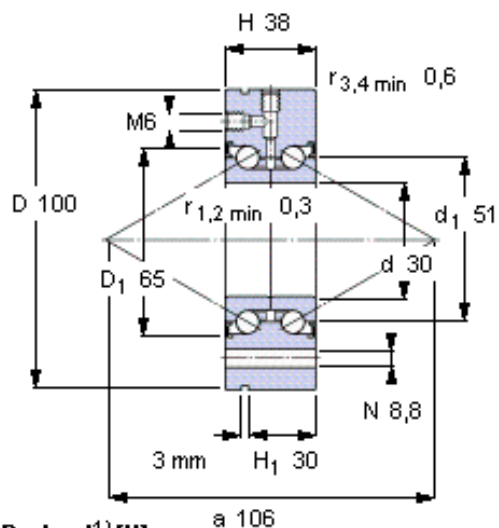


SKF BEAM 030100-2RZ参数

主要尺寸	d	30	mm	-
	D	100	mm	-
	H	38	mm	-
基本额定载荷	C	60000	N	动载荷
	C_0	108000	N	静载荷
疲劳载荷极限	P_u	4000	N	-
可达转速	Attainable speed	4300	r/min	-
重量	重量	1650	g	-
型号	型号	BEAM 030100-2RZ	-	-

SKF BEAM 030100-2RZ图片



Preload¹⁾ [N]

3900

Frictional moment¹⁾ [Nm]

(guideline value)

0,4

¹⁾ Values apply to unmounted bearings

Static stiffness¹⁾

(guideline values)

Axial [N/μm]

950

Moment [Nm/mrad]

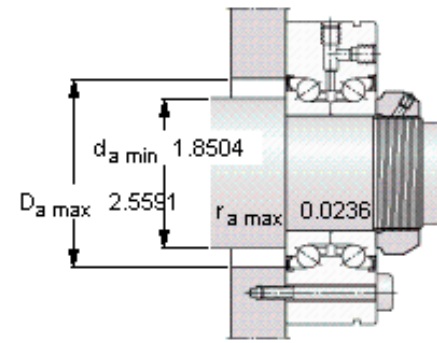
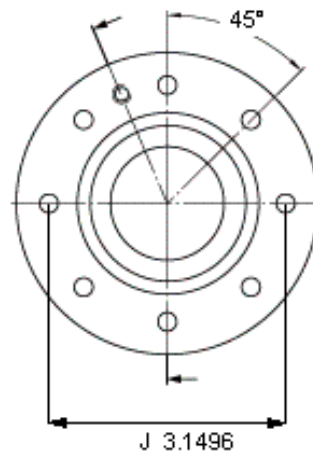
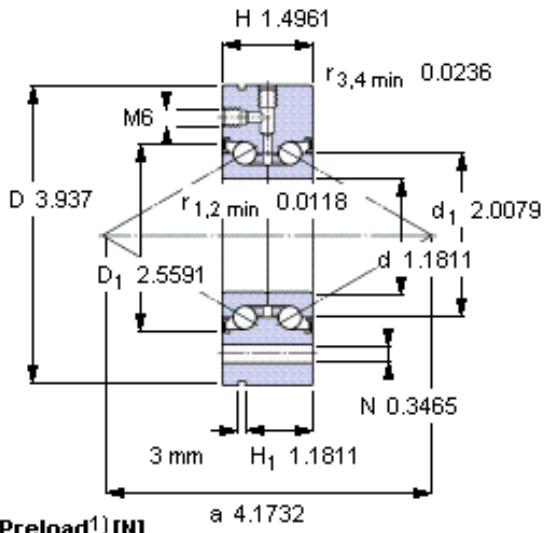
470

Required attachment bolts

(no. of bolts x pitch)

8 x 45°

参考资料: <http://www.sozhou.com/p/e8076155.html>



Preload¹⁾ [N]

3900

Frictional moment¹⁾ [Nm]

(guideline value)

0,4

¹⁾ Values apply to unmounted bearings

Static stiffness¹⁾

(guideline values)

Axial [N/μm] 950

Moment [Nm/mrad] 470

Required attachment bolts

(no. of bolts x pitch)

8 x 45°