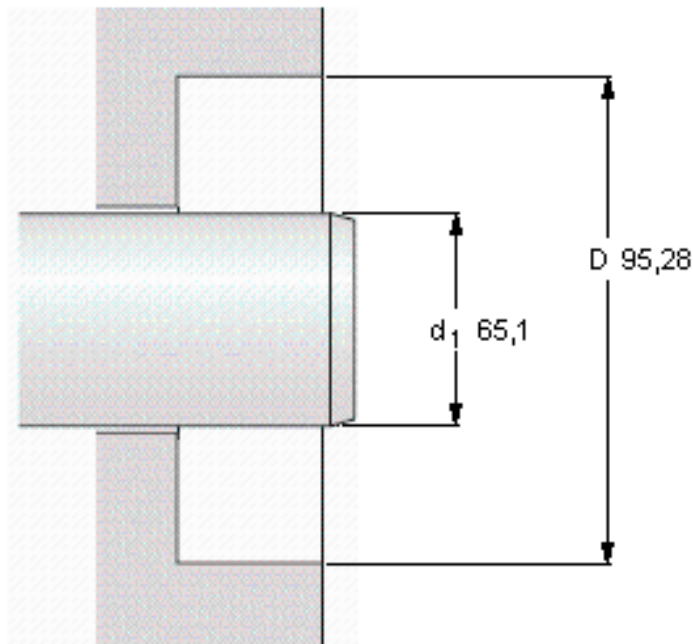
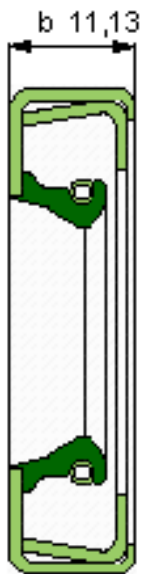


SKF 25713参数

主要尺寸	d ₁	65.1	mm	-
	d1	95.28	mm	-
	b	11.13	mm	-
设计	设计	CRWH1	-	-
密封唇材料	密封唇材料	R	-	-
Pressuredifferential [MPa/psi]	Pressure differential [MPa / psi]	0.07	-	-
型号	型号	25713	-	-
美国图纸编号	美国图纸编号	25713	-	-
注释	注释	Bore-Tite	-	-

SKF 25713图片



Permissible operating temperature [°C / °F]

最小 最大
-40 / -40 100 / 212
 short periods
 120 / 248

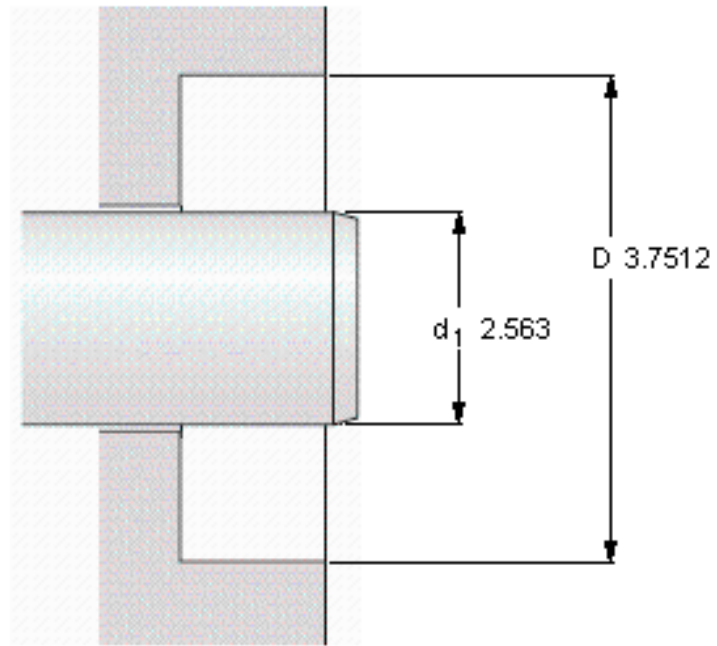
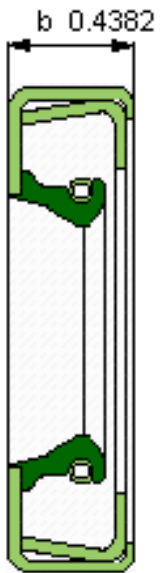
Rotational speed [r/min]

5281
at circumferential speed [m/s / ft/s]
18 / 59,04

Pressure differential [MPa / psi]

0,07 / 10,15

See also "Permissible speeds" and "Chemical and thermal resistance"



Permissible operating temperature [°C / °F]

最小	最大
-40 / -40	100 / 212
	short periods
	120 / 248

Rotational speed [r/min]

5281
at circumferential speed [m/s / ft/s]
18 / 59,04

Pressure differential [MPa / psi]

0,07 / 10,15

See also "Permissible speeds" and "Chemical and thermal resistance"

参考资料:<http://www.sozhou.com/p/e82f7b34.html>