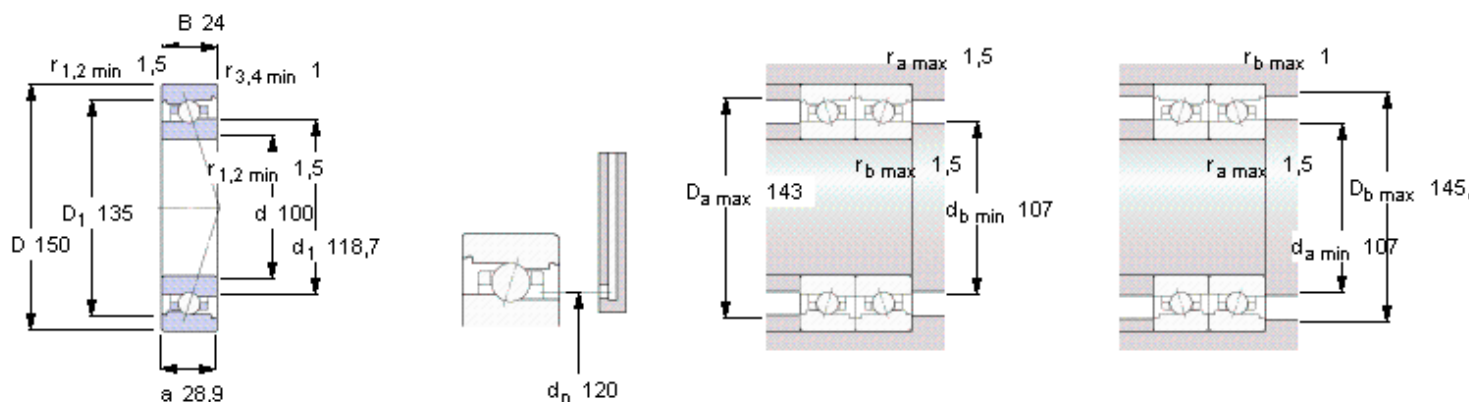


SKF 7020 CB/HCP4A参数

主要尺寸	d	100	mm	-
	D	150	mm	-
	B	24	mm	-
基本额定载荷	C	29600	N	动载荷
	C_0	27000	N	静载荷
疲劳载荷极限	P_u	1020	N	-
可达转速	Grease	13000	r/min	-
	Oil-air	20000	r/min	-
重量	重量	1300	g	-
型号	型号	7020 CB/HCP4A	-	-

SKF 7020 CB/HCP4A图片



Ball diameter 10,319

Number of balls 27

未安装时的预载荷 [N]

背对背配置，面对面配置

预载荷等级

A	B	C	D
96	190	570	-

Static axial stiffness [N/ μm]

(guideline value)

预载荷等级

A	B	C	D
65	84	133	-

Reference grease quantity [cm³]

G_{ref} 15

计算系数

for equivalent bearing load

f_0 9,8

for preload in mounted bearing sets

f 1,08

f_1 1

f_{2A} 1

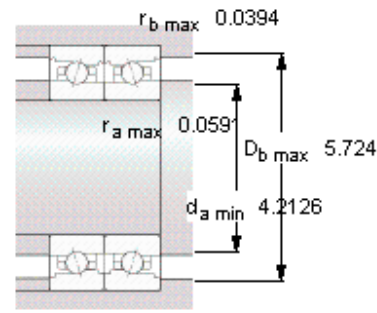
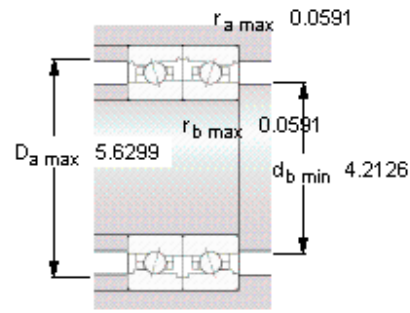
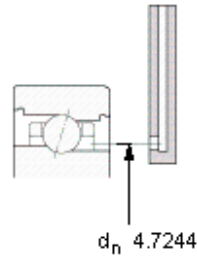
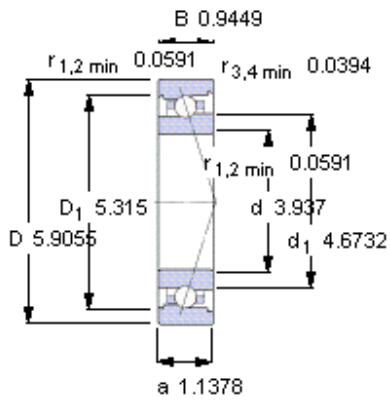
f_{2B} 1,02

f_{2C} 1,05

f_{2D} -

f_{HC} 1,01

参考资料: <http://www.sozhou.com/p/fc0ec0d1.html>



Ball diameter 10,319

Number of balls 27

未安装时的预载荷 [N]

背对背配置，面对面配置

预载荷等级

A	B	C	D
96	190	570	-

Static axial stiffness [N/µm]

(guideline value)

预载荷等级

A	B	C	D
65	84	133	-

Reference grease quantity [cm³]

G_{ref} 15

计算系数

for equivalent bearing load

f₀ 9,8

for preload in mounted bearing sets

f 1,08

f₁ 1

f_{2A} 1

f_{2B} 1,02

f_{2C} 1,05

f_{2D} -

f_{HC} 1,01