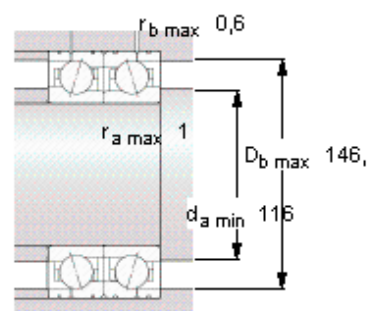
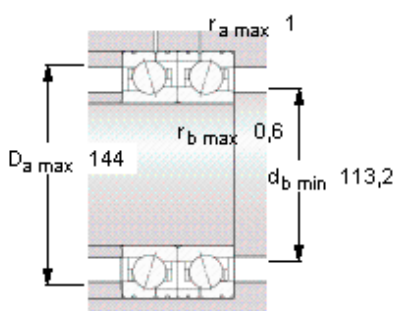
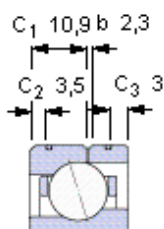
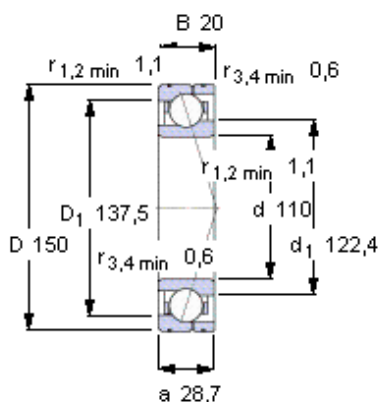


SKF 71922 CE/HCP4AL 参数

主要尺寸	d	110	mm	-
	D	150	mm	-
	B	20	mm	-
基本额定载荷	C	39700	N	动载荷
	C_0	34500	N	静载荷
疲劳载荷极限	P_u	1250	N	-
可达转速	Grease	14000	r/min	-
	Oil-air	22000	r/min	-
重量	重量	700	g	-
型号	型号	71922 CE/HCP4AL	-	-

SKF 71922 CE/HCP4AL 图片



Ball diameter 12,7

Number of balls 26

未安装时的预载荷 [N]

背对背配置，面对面配置

预载荷等级

A	B	C	D
220	650	1300	-

Static axial stiffness [N/μm]

(guideline value)

预载荷等级

A	B	C	D
89	140	193	-

Reference grease quantity [cm³]

G_{ref} 11

计算系数

for equivalent bearing load

f_0 8,6

for preload in mounted bearing sets

f 1,2

f_1 1

f_{2A} 1

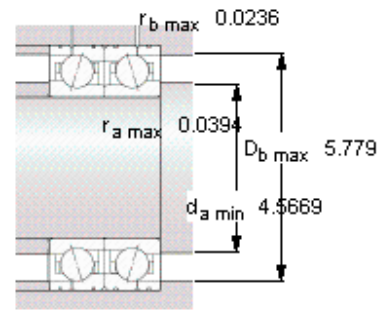
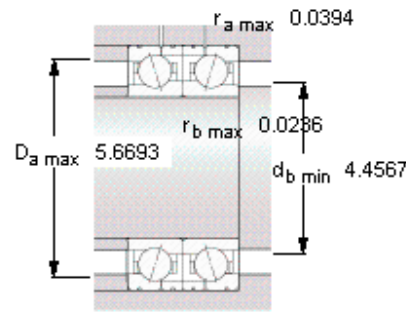
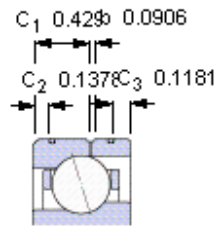
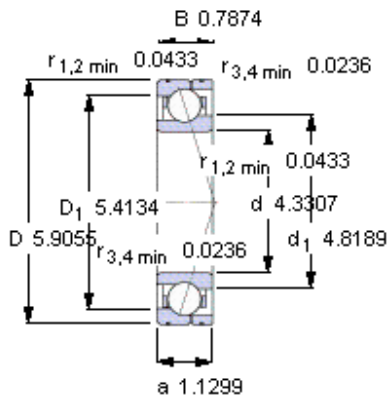
f_{2B} 1,05

f_{2C} 1,09

f_{2D} -

f_{HC} 1,01

参考资料: <http://www.sozhou.com/p/fd0a10c4.html>



Ball diameter 12,7
Number of balls 26

未安装时的预载荷 [N]
 背对背配置，面对面配置
 预载荷等级

A	B	C	D
220	650	1300	-

Static axial stiffness [N/μm]

(guideline value)

预载荷等级

A	B	C	D
89	140	193	-

Reference grease quantity [cm³]

G_{ref} 11

计算系数

for equivalent bearing load

f₀ 8,6

for preload in mounted bearing sets

f 1,2

f₁ 1

f_{2A} 1

f_{2B} 1,05

f_{2C} 1,09

f_{2D} -

f_{HC} 1,01